

TX-H1936SW17A-2760V39-02H95

PRODUCT SPECIFICATION

Features:

- ◆ Excellent transiting heat from LED chip operating under 1200mA.
- ◆ Provide uniform cross distribution of positive white and warm white dual color scheme, mixed pure.
- ◆ High luminous output.
- ◆ No UV.
- ◆ Encapsulated materials are environmentally certified and meet environmental requirements.

Chip Material:

- ◆ GaInN

Emitting Color:

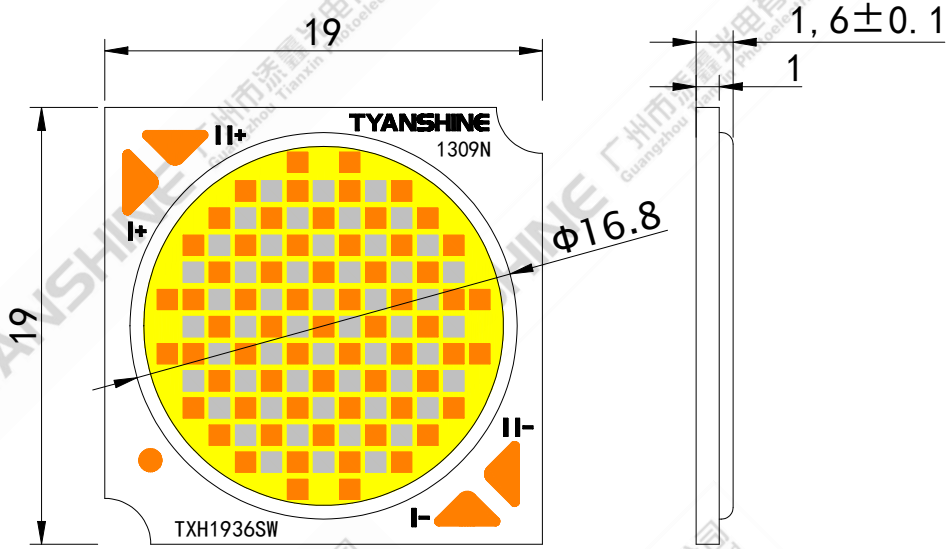
- ◆ White
- ◆ Warm white

Applications:

- ◆ Commercial lighting
- ◆ General Lighting

Part No.	TX-H1936SW17A-2760V39-02H95	Spec No.	WKF-	Page	1 of 6
----------	-----------------------------	----------	------	------	--------

Package Dimensions:



I: Warm White(S) II: White(W)

Notes:

1. All dimensions are in millimeters .
2. Tolerances unless otherwise mentioned are $\pm 0.25\text{mm}$.

Code Formats:

TX-H1936SW17A-2760V39-02H95

TX	—	H	19	36	SW	17	A	—	2760	V39	—	02	H95
TYANSHINE	—	high density	series	watt type	performance	LES	texture	—	CCT	VOL TS	—	BOM	Ra

Part No.	TX-H1936SW17A-2760V39-02H95	Spec No.	WKF-	Page	2 of 6
----------	-----------------------------	----------	------	------	--------

Absolute Maximum Ratings

Parameter	Symbol	Ratings	Unit
Forward Current	IF	1200	mA
Reverse Voltage	VR	Not designed for reverse operation	V
Power Dissipation	PD	S	46
		W	46
		S+W	46
Junction Temperature	Tj	S	150
		W	150
Case Temperature (C)	Tc	85	°C
Electrostatic Discharge Threshold (ESD)	ESD	2000	V
Storage Temperature	Tstg	-30~+100	°C
Operation Temperature	Topr	-30~+85	

Notes:

- 1.Specifications are subject to change without notice.
- 2.The data on this specification is for reference only and the actual data is in accordance with the acknowledgment.
- 3.Precautions for ESD:
STATIC SHIELD Electricity and surge damages the LED. It is recommended to use a wrist band or anti-electrostatic glove when handling the LED. All devices, equipment and machinery must be properly grounded.

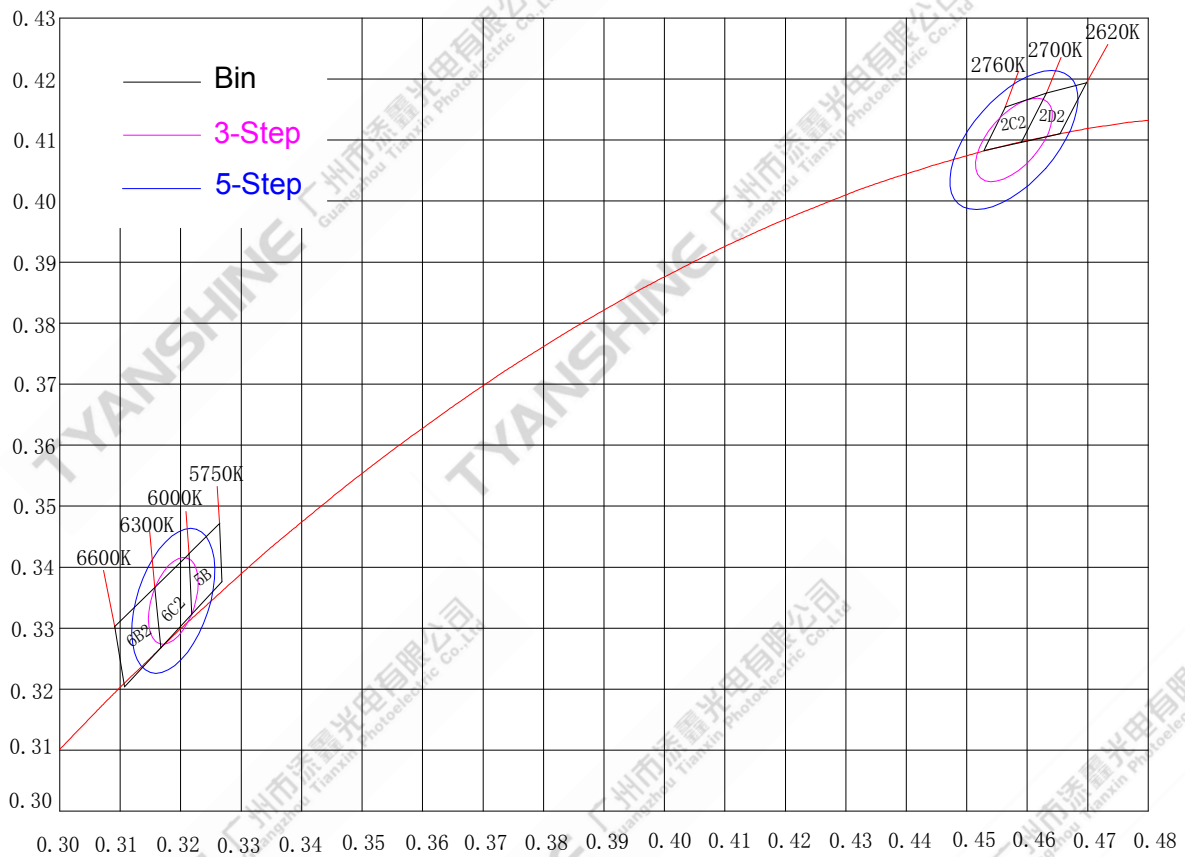
Electrical Optical Characteristics (Tc=25°C)

Parameter	Symbol	Condition	Emitting color	Min.	Typ.	Max.	Units
Luminous Flux	ϕ_v	If=1000mA	S	2800	3200	3800	lm
			W	3300	3800	4500	
Forward Voltage	V_f		S	35	37	39	V
			W	35	37	39	
Correlated Colour Temperature	CCT		S	2620	2700	2760	K
			W	5750	6000	6600	
Viewing Angle at 50 % IV	$2\theta_{1/2}$		S	—	115	—	Deg
			W	—	115	—	
Thermal Resistance Junction to Case	$R\theta_{J-C}$		—	—	0.61	—	K/W
Reverse Current	I_R		—	—	—	—	μA
Color Rendering Index	Ra	S	95	—	—	—	
		W	95	—	—		

Notes:

- 1.Luminous intensity is measured with a light sensor and filter combination that approximates the CIE eye-response curve.
2. $\theta_{1/2}$ is the off-axis angle at which the luminous intensity is half the axial luminous intensity.
- 3.Luminous flux measurement tolerance:±15%.
- 4.Forward voltage measurement tolerance:±3%.
- 5.Ra measurement tolerance: ±2.

Chromaticity Coordinates (Condition : IF=1000mA , Tc=25℃)



Notes:

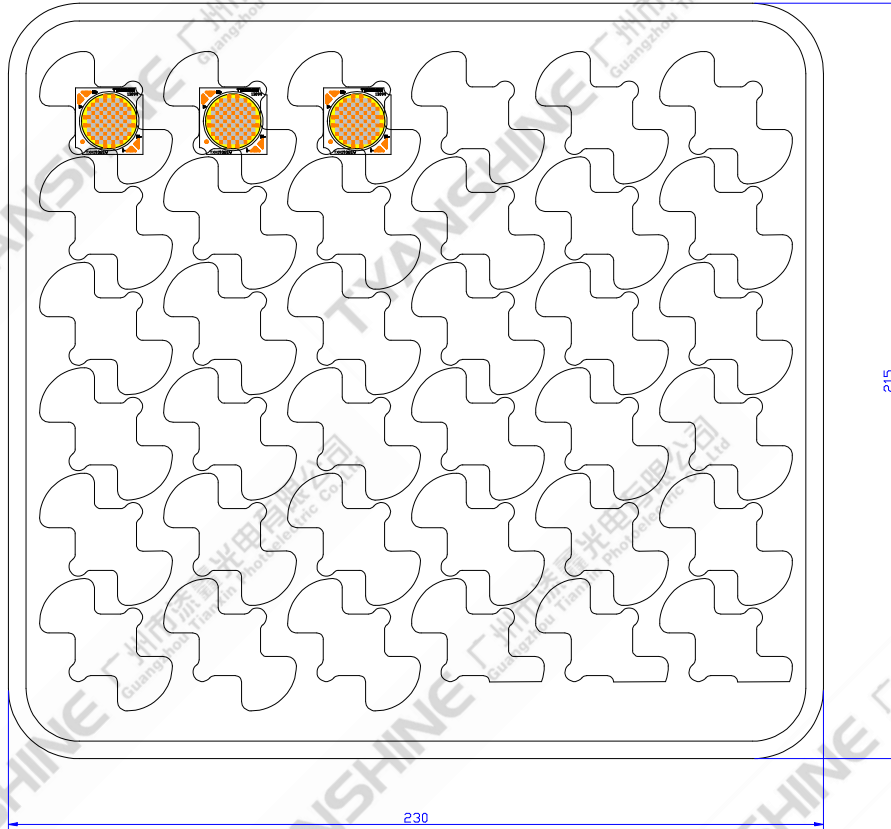
- 1. chromaticity (x, y) measurements tolerance: ± 0.005 .

Reliability Test

Test Item	Test Condition
Continuous Operation Test	IF=750mA Ta=25℃ ×1000hrs
Low Temperature Storage Test	-30℃ × 1000 hours
High Temperature Storage Test	100 ℃ × 1000 hours
Moisture-proof Test	85 ℃, 85 %RH for 500 hours
Thermal Shock Test	-40 ℃ × 15 minutes – 125 ℃ × 15 minutes, 100 cycle

Dimensions For Cannulation And Packaging

Quantity: 36PCS



Notes:

1. All dimensions are in millimeters.
2. Tolerances are ± 2.0 mm unless otherwise noted.
3. The products are packaged together with silica gel, Transport, not to the weight of welding LED light-emitting area, As a result of the weight of LED light-emitting zone in the quality of, Irresponsible of the Company.

Part No.	TX-H1936SW17A-2760V39-02H95	Spec No.	WKF-	Page	6 of 6
----------	-----------------------------	----------	------	------	--------