

TX-6065W30VCA1-NP3CD-01

PRODUCT SPECIFICATION

Features:

- ◆Excellent transiting heat from LED chip operating under 9A.
- ◆High luminous output.
- ◆No UV.
- ◆Encapsulated materials are environmentally certified and meet environmental requirements.

Moisture Proof Grade:

- ◆LEVEL1

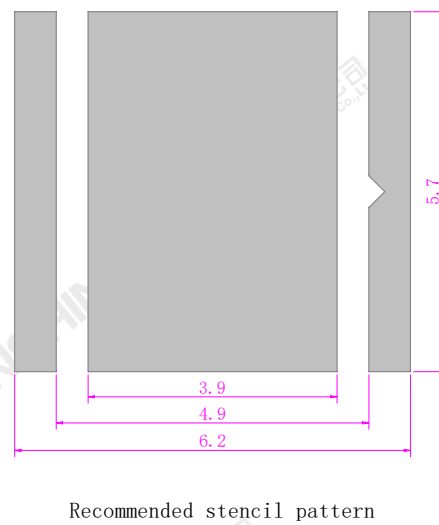
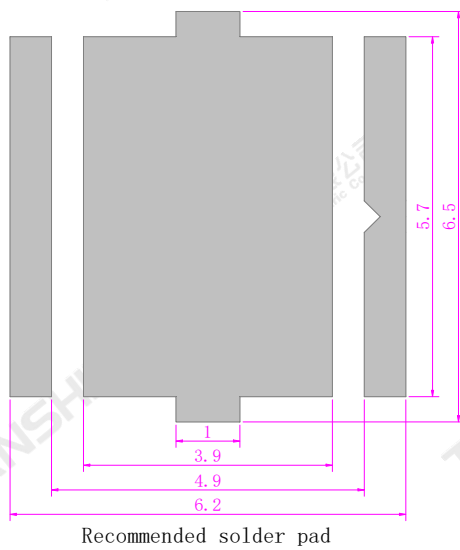
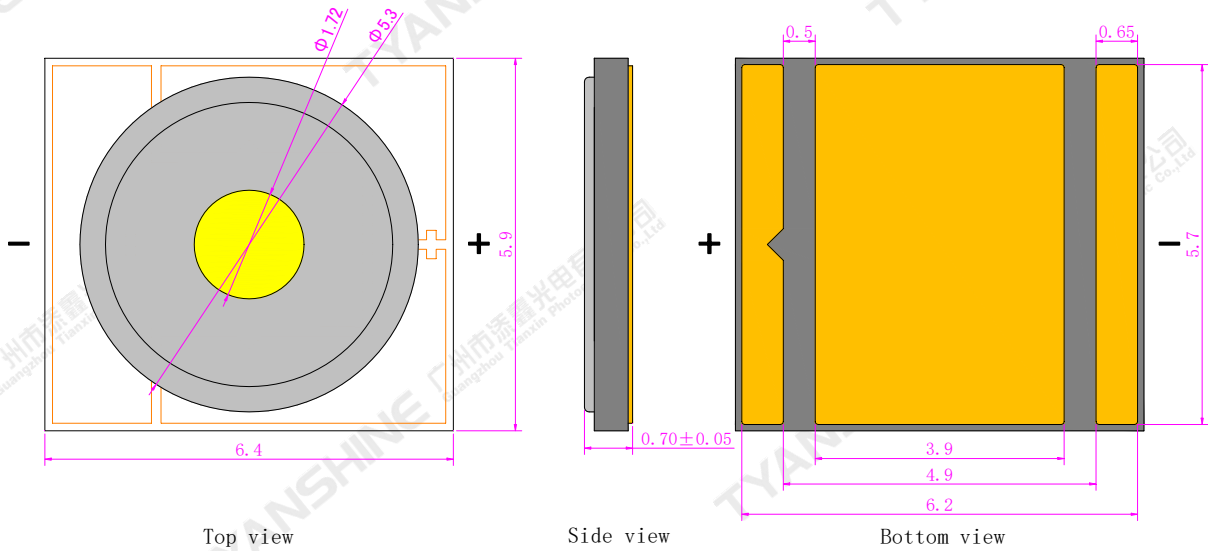
Emitting Color:

- ◆White (W)

Applications:

- ◆Auxiliary lighting
- ◆Ambient lighting
- ◆Architectural lighting

Package Dimensions:



Notes:

- 1.All dimensions are in millimeters .
- 2.Tolerances unless otherwise mentioned are ± 0.1 mm .

Part No.	TX-6065W30VCA1-NP3CD-01	Spec No.	WKF-EJ0012	Page	10 of 10
----------	-------------------------	----------	------------	------	----------

Absolute Maximum Ratings (Tc=25°C)

Parameter	Symbol	Ratings	Unit
Forward Current	IF	9	A
Reverse Voltage	VR	5	V
Power Dissipation	PD	30	W
Junction Temperature	Tj	150	°C
Electrostatic Discharge Threshold (ESD)	ESD	2000	V
Storage Temperature	Tstg	-40~+70	°C
Operation Temperature	Topr	-30~+85	
Ceramic side temperature(notes 4)	Tcs	85	

Notes:

- Specifications are subject to change without notice.
- The data on this specification is for reference only and the actual data is in accordance with the acknowledgment.
- Precautions for ESD:
STATIC SHIELD Electricity and surge damages the LED. It is recommended to use a wrist band or anti-electrostatic glove when handling the LED. All devices, equipment and machinery must be properly grounded.
- Temperature on the side of the ceramic substrate near the heat sink.

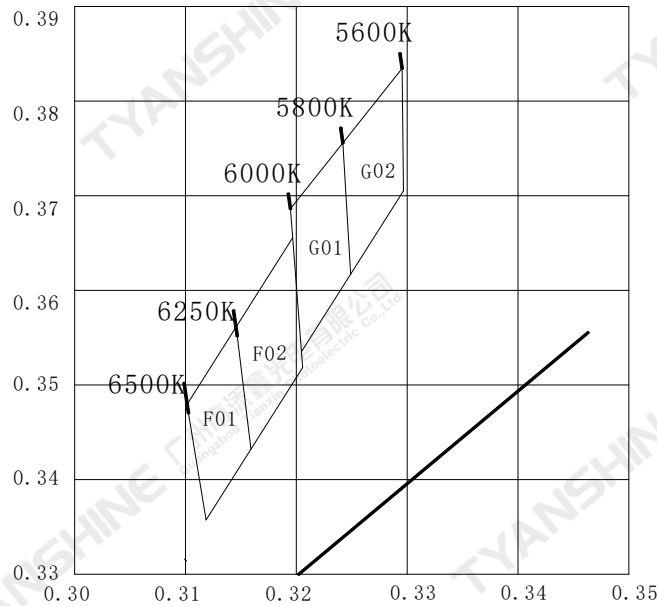
Electrical Optical Characteristics (Tc=25°C)

Parameter	Symbol	Condition	Min.	Typ.	Max.	Units
Luminous Flux	Φ_v	If=1A	420	450	480	lm
		If=7A	1800	1900	2000	
Forward Voltage	V_f	If=1A	2.7	3.1	3.5	V
		If=7A	3.0	3.4	3.8	
Correlated Colour Temperature	CCT	If=1A	5600	6000	6500	K
		If=7A	6950	7200	7450	
Spectral Line Half-Width	$\Delta\lambda$	If=7A	21	24	27	nm
Viewing Angle at 50% IV	$2\theta_{1/2}$	—	—	120	—	Deg
Reverse Current	I_R	$V_R=-5V$	—	—	2	μA
Thermal Resistance Junction to Case	$R\theta_{J-C}$	—	—	2.1	—	K/W
Temperature Coefficient of Voltage	$V\Delta F/T$	If=7A	—	-2.8	—	mV/°C

Notes:

- 1.Luminous intensity is measured with a light sensor and filter combination that approximates the CIE eye-response curve.
2. $\theta_{1/2}$ is the off-axis angle at which the luminous intensity is half the axial luminous intensity.
- 3.Luminous flux measurement tolerance: $\pm 15\%$.
- 4.Forward voltage measurement tolerance: $\pm 0.15V$.

White Color coordinate filing (IF=1A)

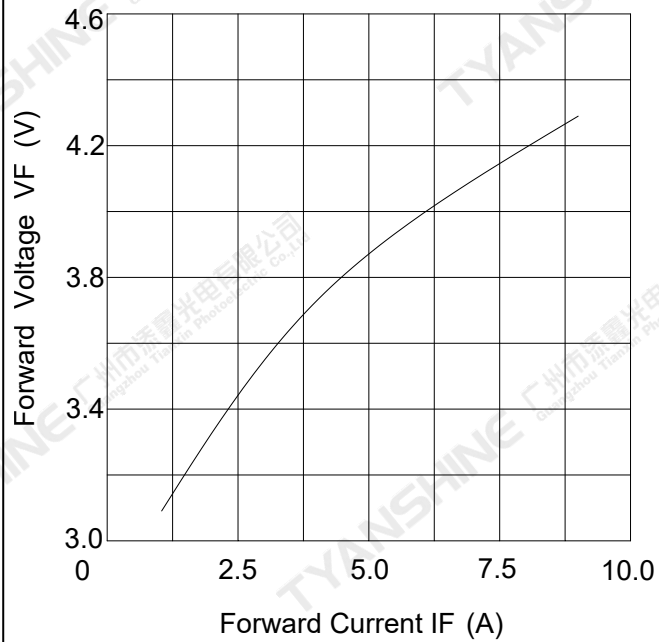


Region	CCT Range		X1	Y1	X2	Y2	X3	Y3	X4	Y4
	Min	Max								
G02	5600K	5800K	0.3249	0.3617	0.3242	0.3756	0.3295	0.3835	0.3297	0.3705
G01	5800K	6000K	0.3205	0.3535	0.3195	0.3686	0.3242	0.3756	0.3249	0.3617
F02	6000K	6250K	0.3159	0.3432	0.3146	0.3561	0.3197	0.3656	0.3206	0.3518
F01	6250K	6500K	0.3119	0.3357	0.3101	0.3479	0.3146	0.3561	0.3159	0.3432

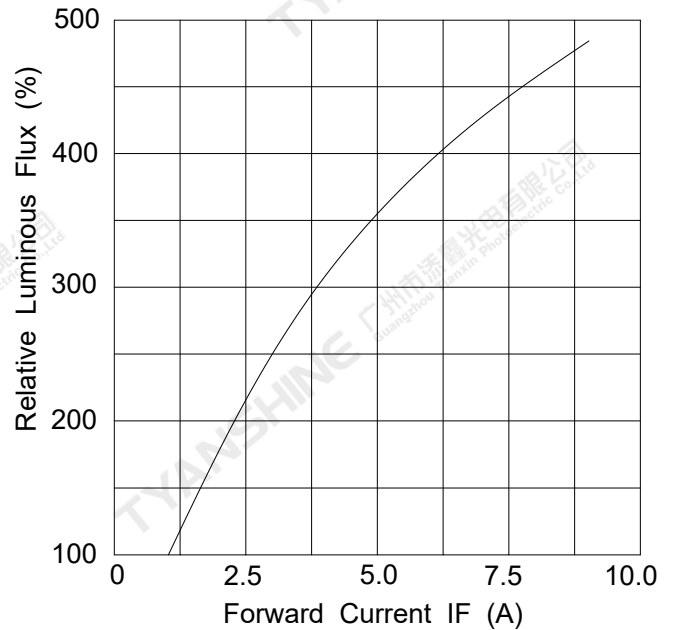
Typical Electrical/Optical Characteristics Curves

(25°C Ambient Temperature Unless Otherwise Noted)

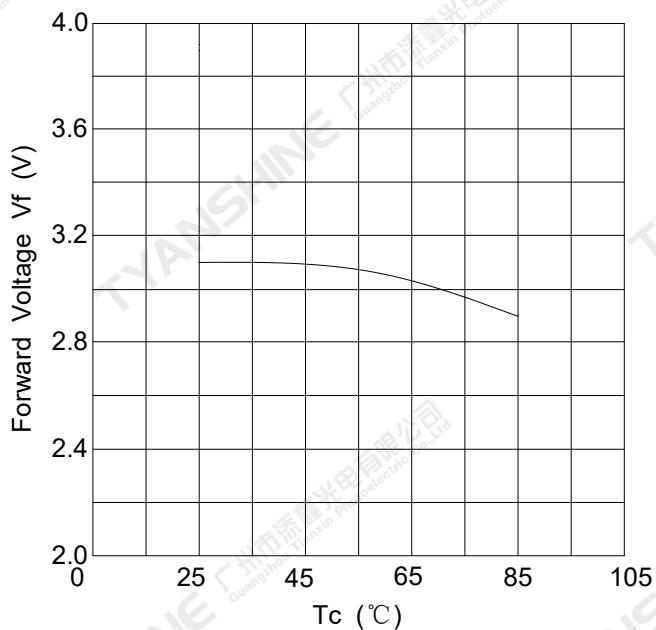
Forward Current VS. Relative Forward Voltage



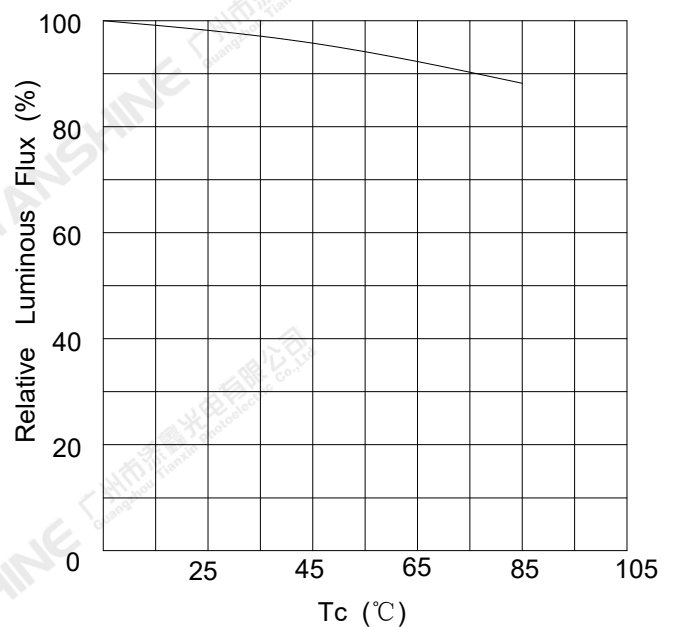
Forward Current VS. Relative Luminous Flux

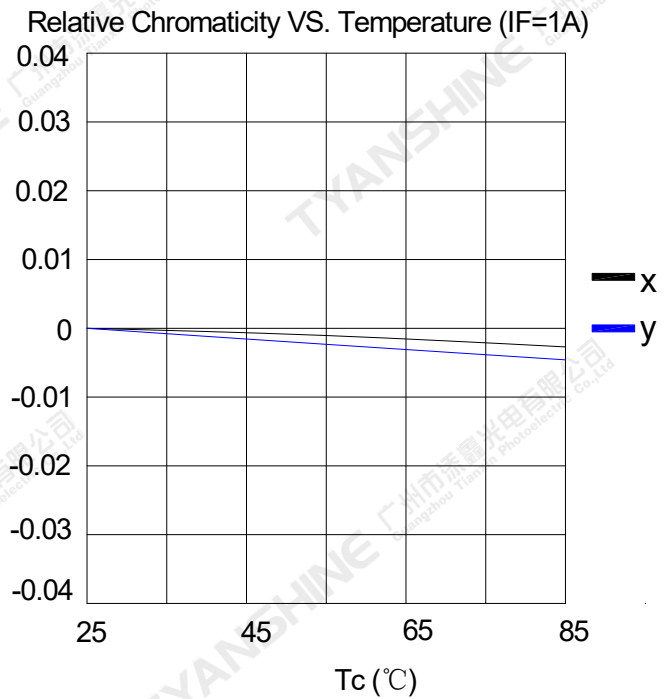
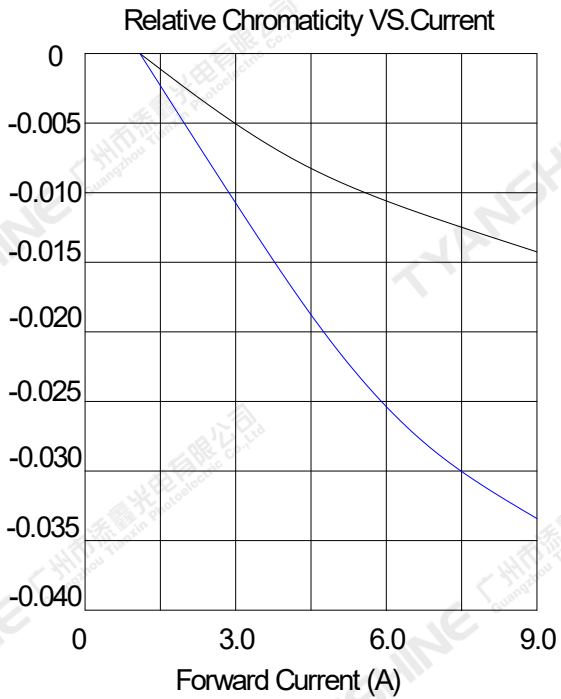


Temperature VS. Relative Forward Voltage (IF= 1A)

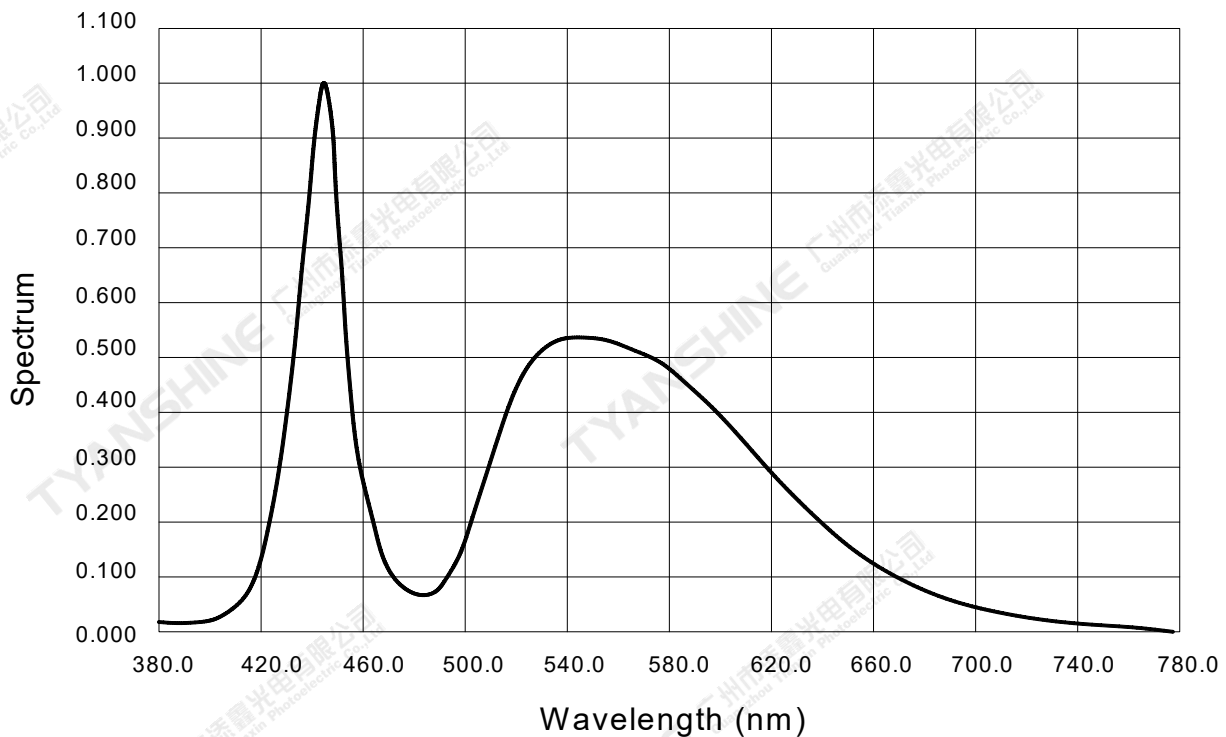


Temperature VS. Relative Luminous Flux (IF=1A)





Relative Spectral Distribution



Notes:

1. $2\theta_{1/2}$ is the off axis angle from lamp centerline where the luminous intensity is 1/2 of the peak value.
2. View angle tolerance is $\pm 5^\circ$.

Part No.	TX-6065W30VCA1-NP3CD-01	Spec No.	WKF-EJ0012	Page	10 of 10
----------	-------------------------	----------	------------	------	----------

Usage Precautions

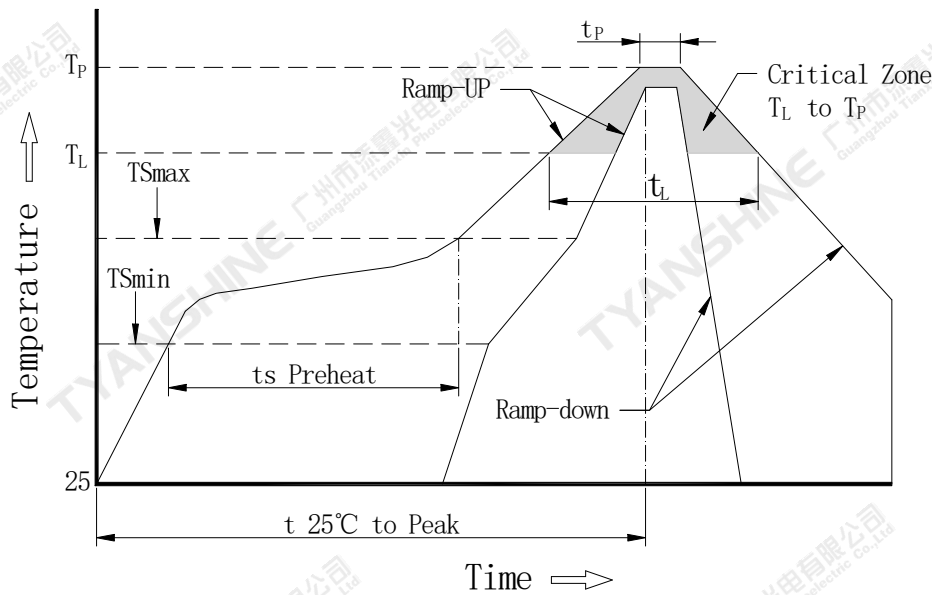
Storage Environment Condition

Temperature: 5°C ~ 30°C (41°F ~ 86°F)

Humidity: 60% RH Max.

Soldering Condition

Use the conditions shown to the under figure.



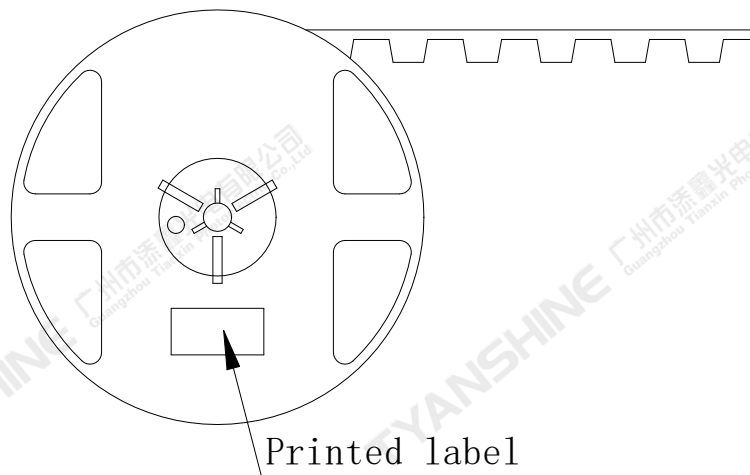
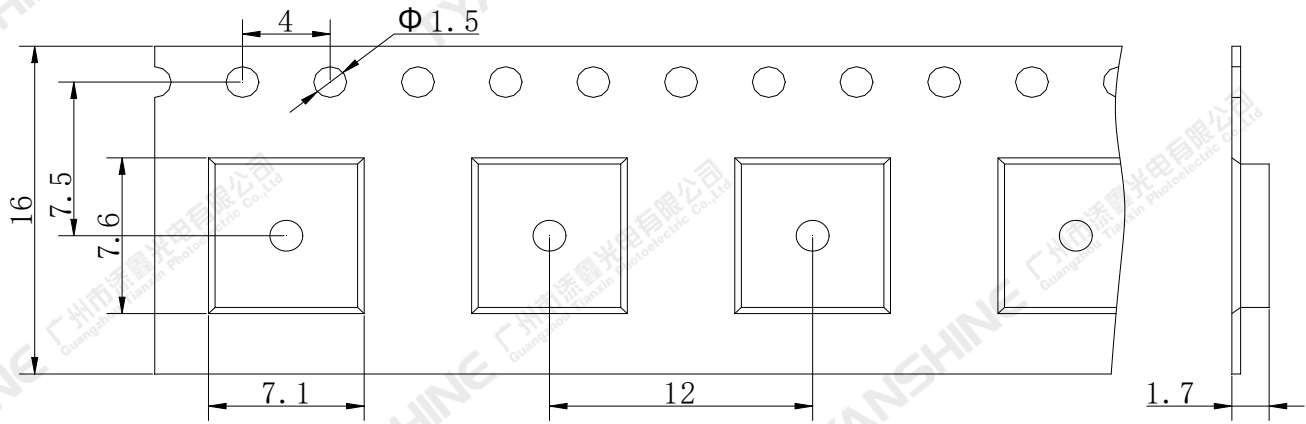
Profile Feature	Pb-Free Solderr(SnBi35Ag0.3)
Average Ramp-Up Rate (T_{Smax} to T_P)	3°C/second max.
Preheat: Temperature Min (T_{Smin})	130°C
Preheat: Temperature Max (T_{Smax})	190°C
Preheat: Time (T_{Smin} to T_{Smax})	120-180 seconds
Time Maintained Above: Temperature (T_L)	230°C
Time Maintained Above: Time (T_L)	60-150 seconds
Peak/Classification Temperature (T_P)	255°C
Time Within 5°C of Actual Peak Temperature (T_P)	10-35seconds
Ramp-Down Rate	5°C/second max.
Time 25°C to Peak Temperature	7 minutes max.

Note:

All temperatures refer to topside of the package, measured on the package body surface.

Dimensions For Cannulation And Packaging

Quantity:1000PCS



Notes:

1. All dimensions are in millimeters.
2. Tolerances are ± 2.0 mm unless otherwise noted.
3. The products are packaged together with silica gel, Transport, not to the weight of welding LED light-emitting area, As a result of the weight of LED light-emitting zone in the quality of, Irresponsible of the Company.

Part No.	TX-6065W30VCA1-NP3CD-01	Spec No.	WKF-EJ0012	Page	10 of 10
----------	-------------------------	----------	------------	------	----------

产品规格书变更履历表

版本	变更内容描述		生效日期
	变更前内容	变更后内容	
1.0	初次发行	-	2024.01.30