

TX-3535W3FC120-OGVCND34-B03FH80

PRODUCT SPECIFICATION

Features:

- ◆ Excellent transiting heat from LED chip operating under 1200 mA.
- ◆ High luminous output.
- ◆ No UV.
- ◆ Encapsulated materials are environmentally certified and meet environmental requirements.

Moisture Proof Grade:

- ◆ LEVEL1

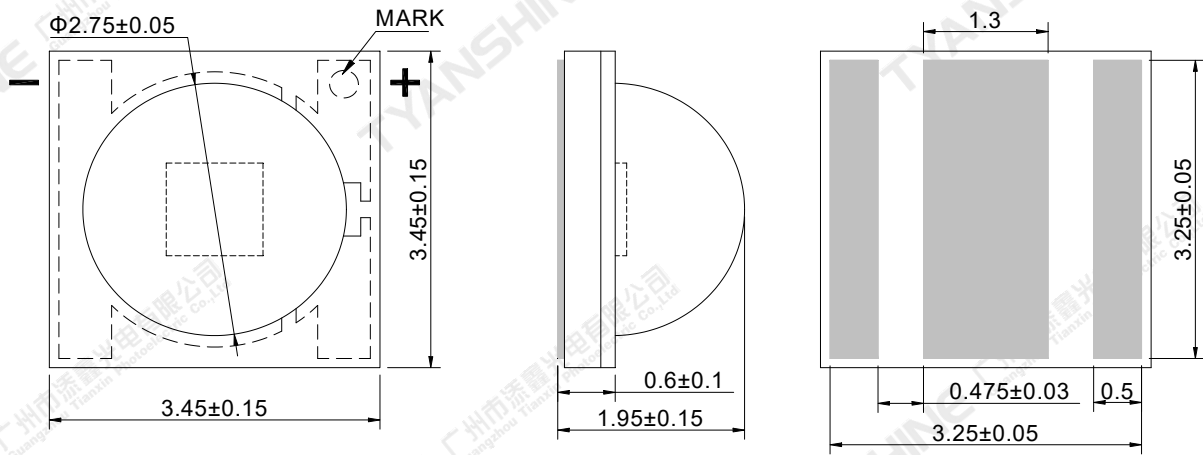
Emitting Color:

- ◆ White

Applications:

- ◆ Auxiliary lighting
- ◆ Architectural lighting
- ◆ General Lighting

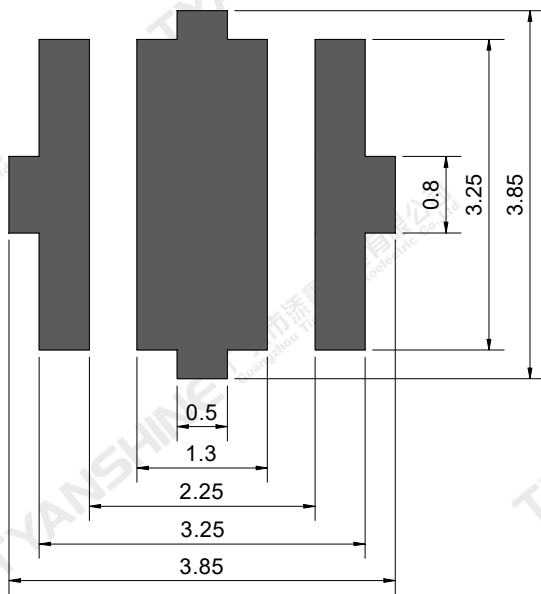
Package Dimensions:



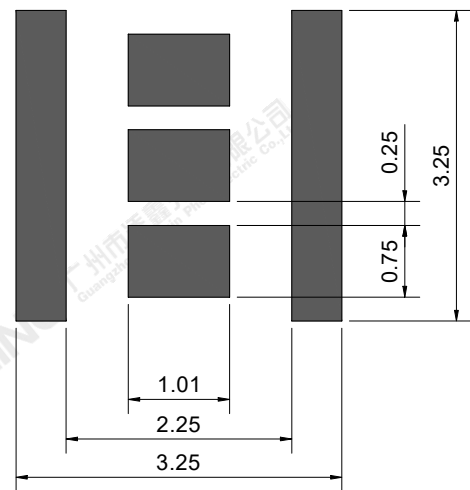
Top view

Side view

Bottom view



Recommended solder pad



Recommended stencil pattern

Notes:

- 1.All dimensions are in millimeters .
- 2.Tolerances unless otherwise mentioned are ± 0.1 mm .

Absolute Maximum Ratings (Tc=25°C)

Parameter	Symbol	Ratings	Unit
Forward Current	IF	1200	mA
Reverse Voltage	VR	7	V
Power Dissipation	PD	3.6	W
Junction Temperature	Tj	150	°C
Electrostatic Discharge Threshold (ESD)	ESD	ESD sensitive device	V
Storage Temperature	Tstg	-40~+70	°C
Operation Temperature	Topr	-30~+85	
Ceramic side temperature(notes 4)	Tcs	85	

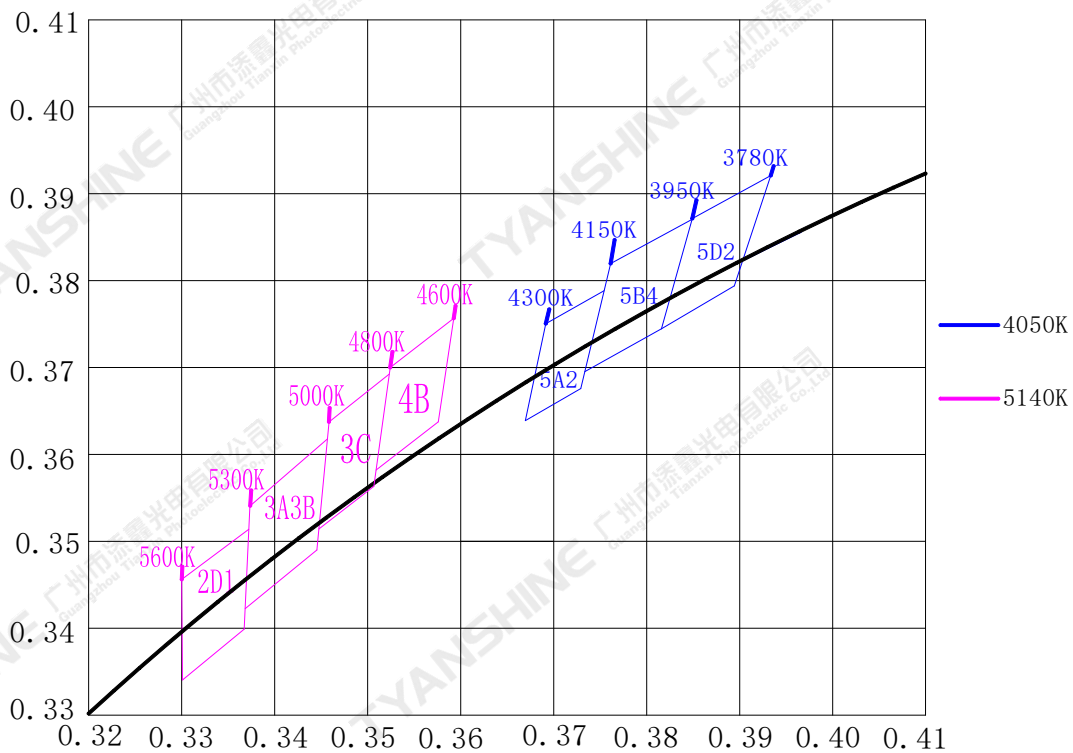
Notes:

- Specifications are subject to change without notice.
- The data on this specification is for reference only and the actual data is in accordance with the acknowledgment.
- Precautions for ESD:
STATIC SHIELD Electricity and surge damages the LED. It is recommended to use a wrist band or anti-electrostatic glove when handling the LED. All devices, equipment and machinery must be properly grounded.
- Temperature on the side of the ceramic substrate near the heat sink.

Electrical Optical Characteristics (Tc=25°C)

Parameter	Symbol	Condition	Min.	Typ.	Max.	Units
Luminous Flux	ϕ_v	If=350mA	100	124	148	lm
Correlated Colour Temperature	CCT		3780	4050	4300	K
			4600	5140	5600	
Color Rendering Index	Ra		80	82.5	—	—
Spectral Line Half-Width	$\Delta\lambda$		139	144	149	nm
Forward Voltage	V_f	2.75	3.0	3.25	V	
Viewing Angle at 50% IV	$2\theta_{1/2}$	—	—	120	—	Deg
Reverse Current	I_R	$V_R=-7V$	—	—	5	μA
Thermal Resistance Junction to Case	$R\theta_{J-C}$	If=350mA	—	8.0	—	K/W
Temperature Coefficient of Voltage	$V\Delta F/T$		—	-2	—	mV/°C

White light Color coordinate filing (IF=350mA)



Region	CCT Range		X1	Y1	X2	Y2	X3	Y3	X4	Y4
	Min	Max								
5D2	3780K	3950K	0.3894	0.3794	0.3816	0.3745	0.3849	0.3871	0.3933	0.3921
5B4	3950K	4150K	0.3816	0.3745	0.3733	0.3695	0.3761	0.3820	0.3849	0.3870
5A2	4150K	4300K	0.3729	0.3676	0.3669	0.3639	0.3691	0.3750	0.3754	0.3788
4B	4600K	4800K	0.3576	0.3638	0.3509	0.3582	0.3524	0.3700	0.3593	0.3757
3C	4800K	5000K	0.3507	0.3563	0.3448	0.3514	0.3459	0.3637	0.3523	0.3693
3A3B	5000K	5300K	0.3445	0.3149	0.3368	0.3422	0.3373	0.3541	0.3457	0.3618
2D1	5300K	5600K	0.3367	0.3399	0.3301	0.3340	0.3300	0.3456	0.3372	0.3514

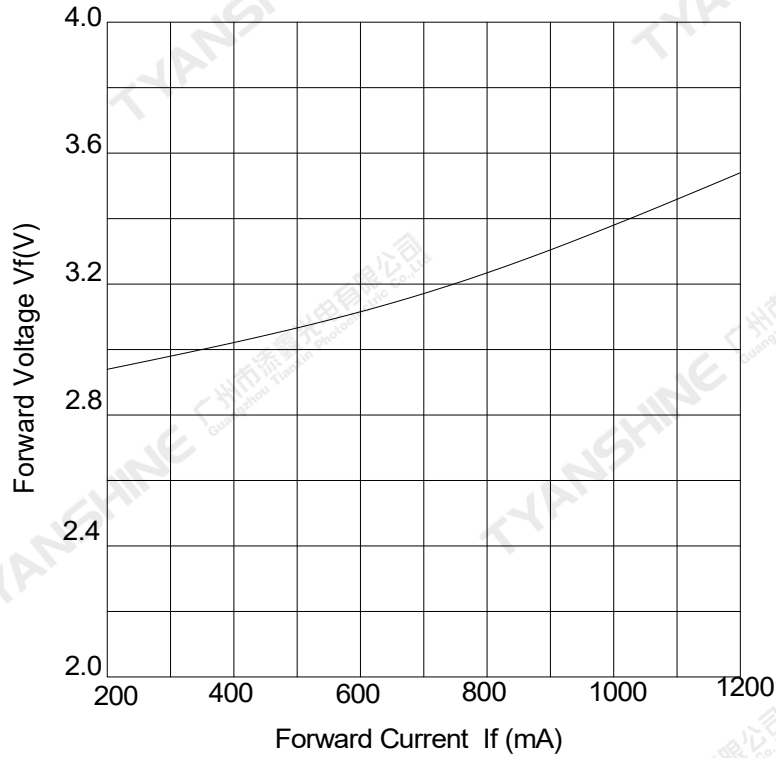
Notes:

1. Luminous intensity is measured with a light sensor and filter combination that approximates the CIE eye-response curve.
2. $\theta_{1/2}$ is the off-axis angle at which the luminous intensity is half the axial luminous intensity.
3. Luminous flux measurement tolerance: $\pm 10\%$.
4. Forward voltage measurement tolerance: $\pm 10\%V$.
5. Ra measurement tolerance: ± 2 .

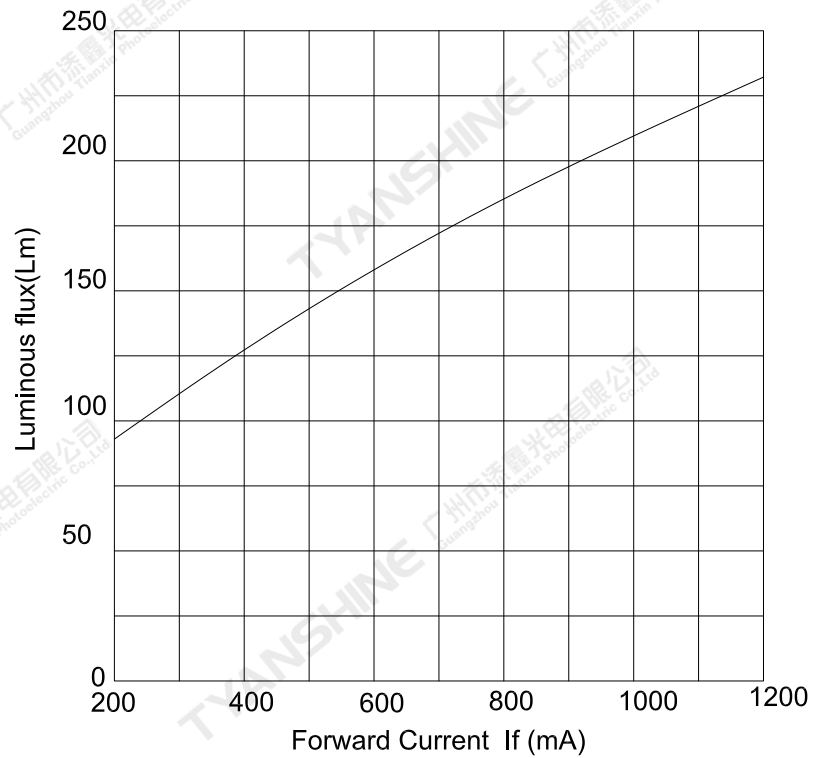
Typical Electrical/Optical Characteristics Curves

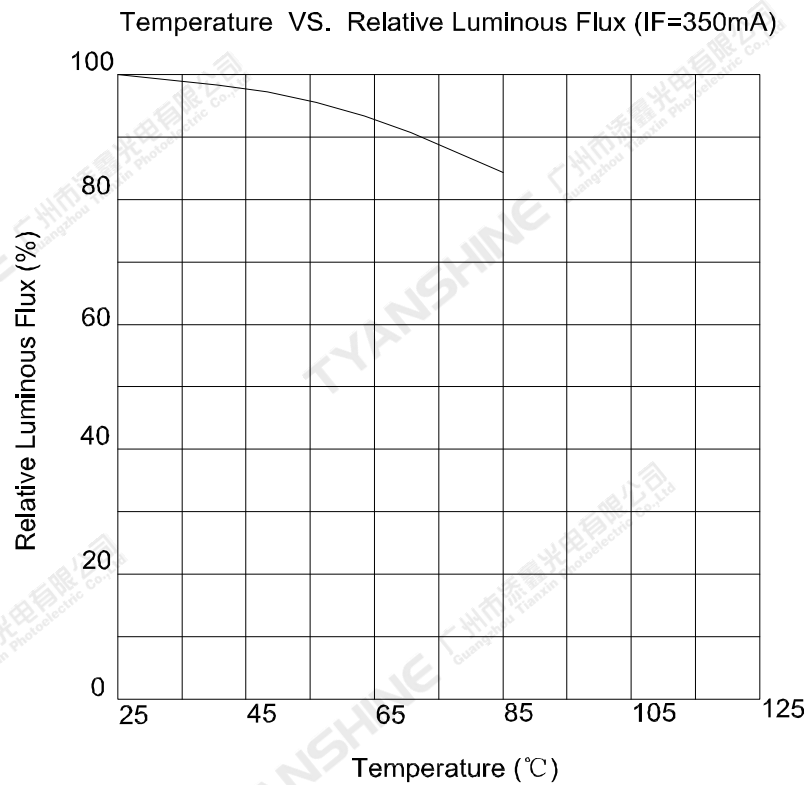
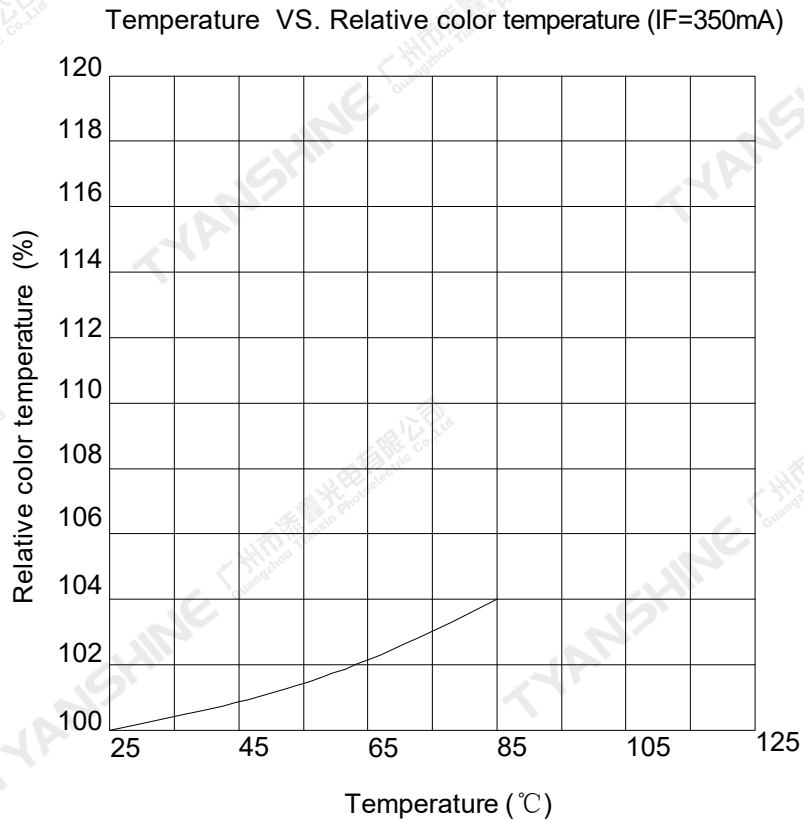
(25°C Ambient Temperature Unless Otherwise Noted)

Forward Current VS. Forward Voltage

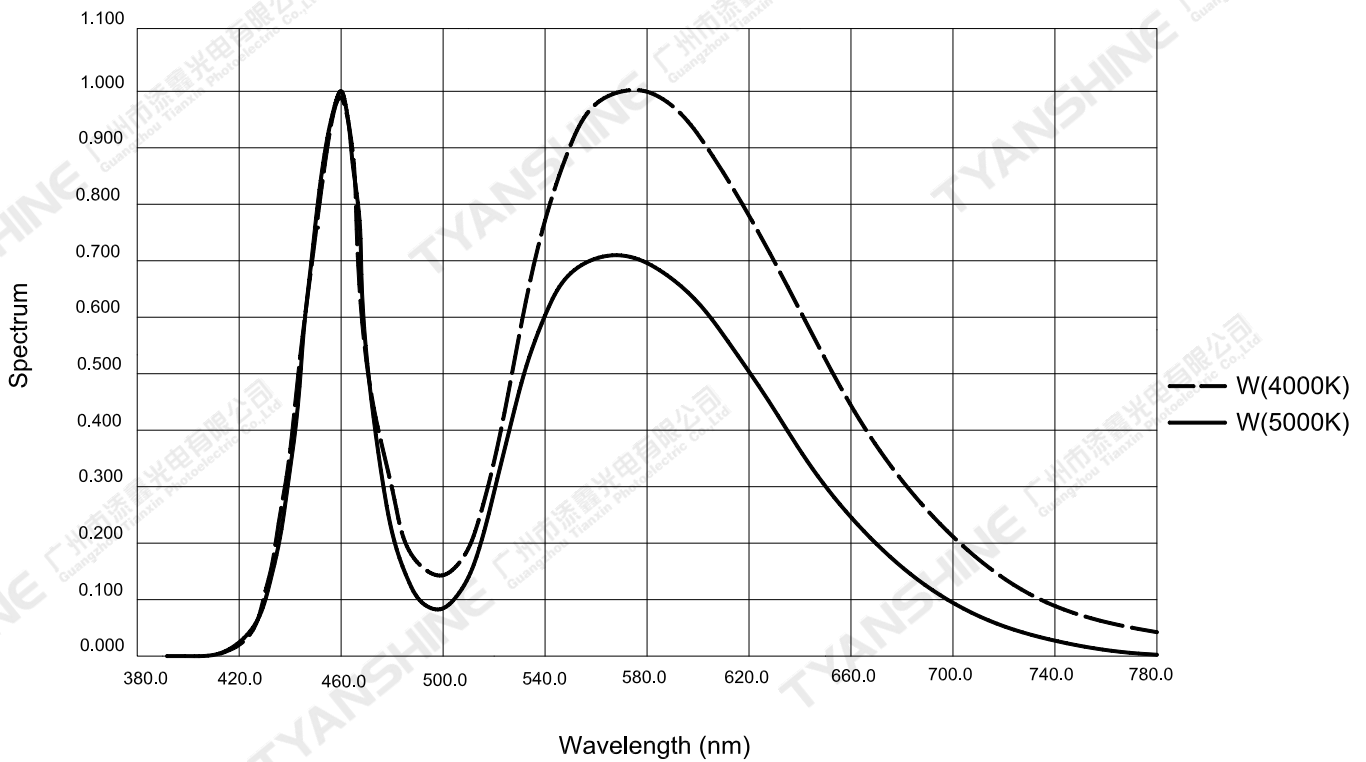


Forward Current VS. Luminous flux

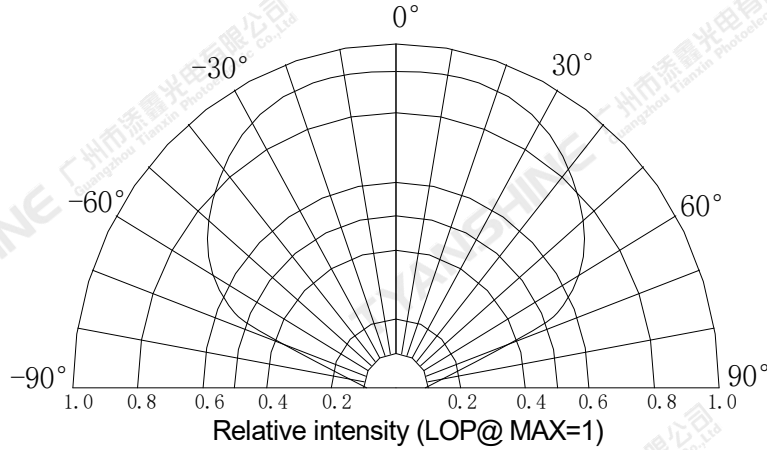




Relative Spectral Distribution



Beam Pattern



Notes:

1. θ 1/2 is the off axis angle from lamp centerline where the luminous intensity is 1/2 of the peak value.
2. View angle tolerance is $\pm 5^\circ$.

Usage Precautions

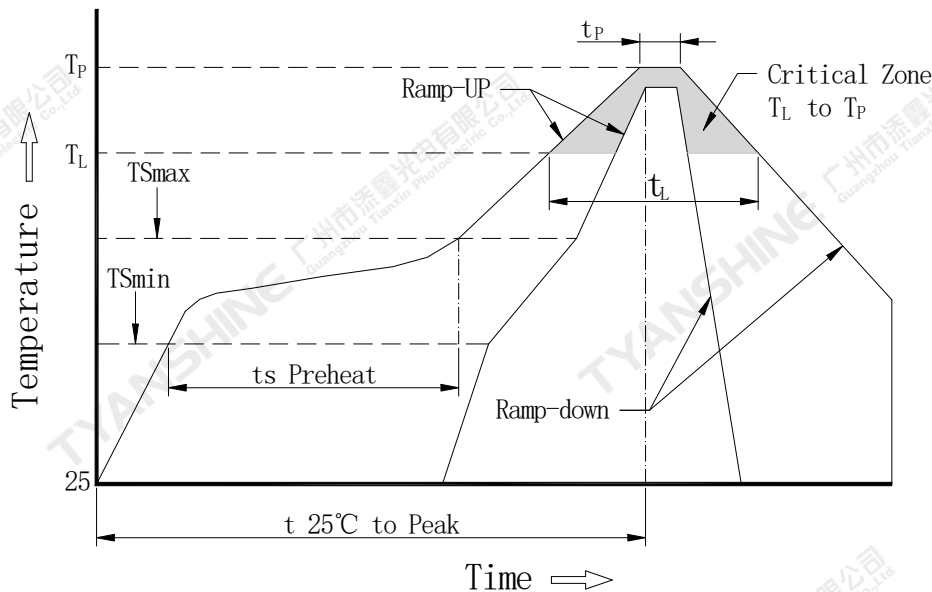
Storage Environment Condition

Temperature: 5°C ~ 30°C (41°F ~ 86°F)

Humidity: 60% RH Max.

Soldering Condition

Use the conditions shown to the under figure.



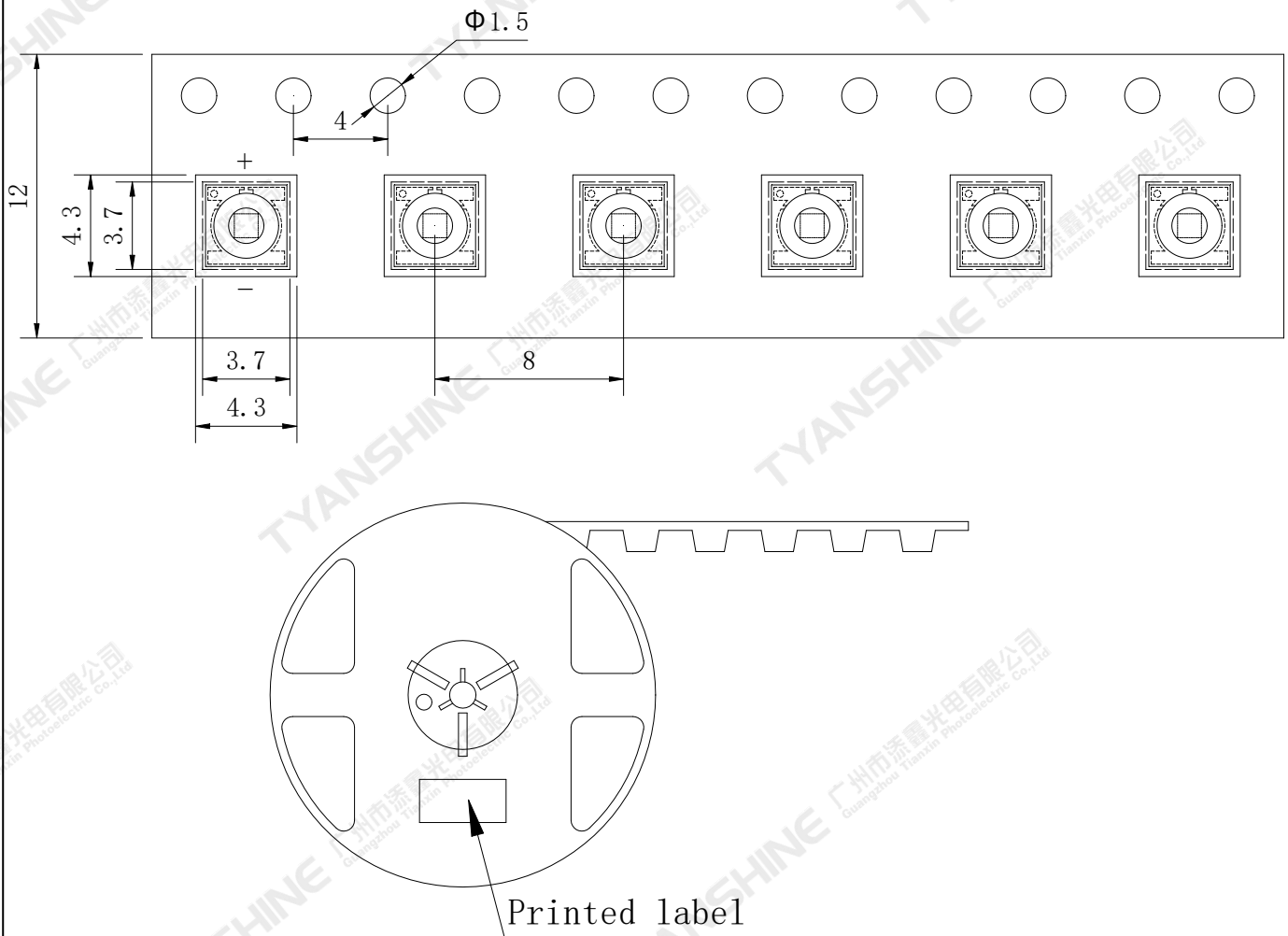
Profile Feature	Pb-Free Solderr(SnBi35Ag0.3)
Average Ramp-Up Rate (TSmax to TP)	3°C/second max.
Preheat: Temperature Min (TSmin)	130°C
Preheat: Temperature Max (TSmax)	190°C
Preheat: Time (TSmin to TSmax)	120-180 seconds
Time Maintained Above: Temperature (TL)	230°C
Time Maintained Above: Time (TL)	60-150 seconds
Peak/Classification Temperature (TP)	255°C
Time Within 5°C of Actual Peak Temperature (TP)	10-35 seconds
Ramp-Down Rate	5°C/second max.
Time 25°C to Peak Temperature	7 minutes max.

Note:

All temperatures refer to topside of the package, measured on the package body surface.

Dimensions For Cannulation And Packaging

Quantity:1000 PCS



Notes:

1. All dimensions are in millimeters.
2. Tolerances are ± 2.0 mm unless otherwise noted.
3. The products are packaged together with silica gel, Transport, not to the weight of welding LED light-emitting area, As a result of the weight of LED light-emitting zone in the quality of, Irresponsible of the Company.

Part No.	TX-3535W3FC120-OGVCND34-B03FH80	Spec No.	WKF-BE0166	Page	10 of 11
----------	---------------------------------	----------	------------	------	----------

