

TX-3535W3FC120-OGVCND34-D06

PRODUCT SPECIFICATION

Features:

- ◆ Excellent transiting heat from LED chip operating under 1.0 A.
- ◆ High luminous output.
- ◆ No UV.
- ◆ Encapsulated materials are environmentally certified and meet environmental requirements.

Moisture Proof Grade:

- ◆ LEVEL1

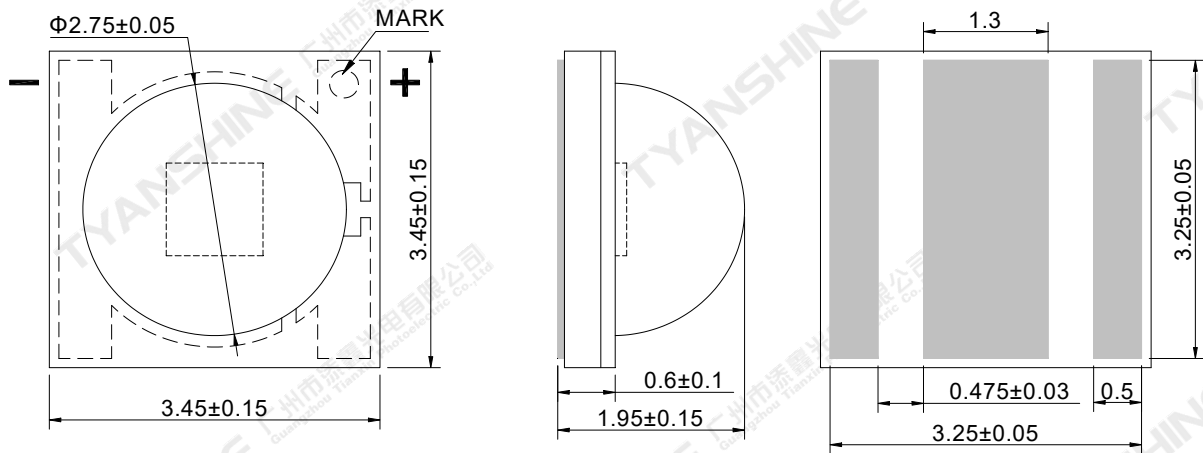
Emitting Color:

- ◆ White

Applications:

- ◆ Indoor lighting
- ◆ Outdoor lighting
- ◆ Industrial Lighting

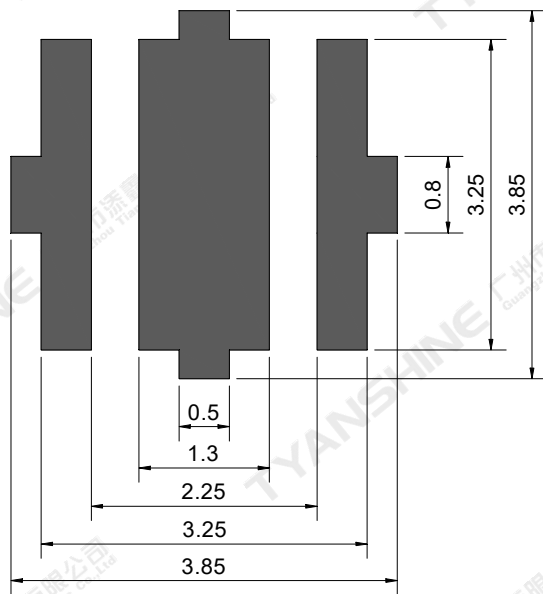
Package Dimensions:



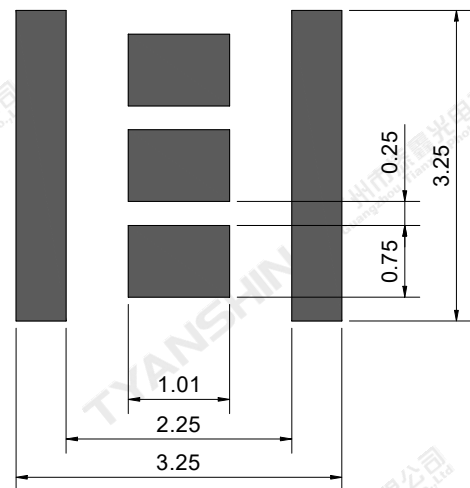
Top view

Side view

Bottom view



Recommended solder pad



Recommended stencil pattern

Notes:

1. All dimensions are in millimeters .
2. Tolerances unless otherwise mentioned are ± 0.1 mm .

Absolute Maximum Ratings (Tc=25°C)

| Parameter | Symbol | Ratings | Unit |
|---|--------|---------|------|
| Forward Current | IF | 1000 | mA |
| Reverse Voltage | VR | 5 | V |
| Reverse Current | IR | 2 | μA |
| Power Dissipation | PD | 3000 | mW |
| Junction Temperature | Tj | 150 | °C |
| Electrostatic Discharge Threshold (ESD) | ESD | 2000 | V |
| Storage Temperature | Tstg | -20~+70 | °C |
| Operation Temperature | Topr | -40~+85 | |
| Ceramic side temperature(notes 4) | Tcs | 85 | |

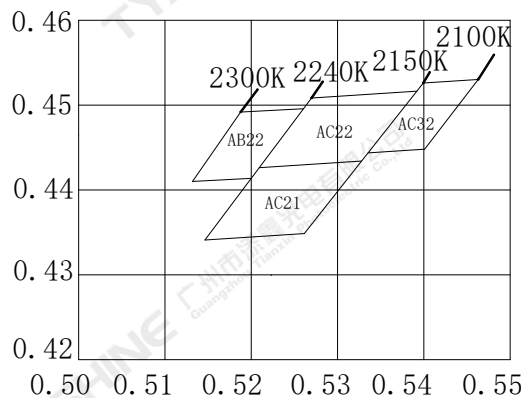
Notes:

- Specifications are subject to change without notice.
- The data on this specification is for reference only and the actual data is in accordance with the acknowledgment.
- Precautions for ESD:
STATIC SHIELD Electricity and surge damages the LED. It is recommended to use a wrist band or anti-electrostatic glove when handling the LED. All devices, equipment and machinery must be properly grounded.
- Temperature on the side of the ceramic substrate near the heat sink.

Electrical Optical Characteristics

| Parameter | Symbol | Condition | | Value | | | Units |
|-------------------------------------|------------------|-----------|-----------------|-------|------|------|-------|
| | | Tc | Forward Current | Min. | Typ. | Max. | |
| Luminous Flux | ϕ_v | Tc=25°C | If=350mA | 107 | 127 | 148 | lm |
| Correlated Colour Temperature | CCT | Tc=25°C | If=350mA | 2100 | 2200 | 2300 | K |
| Forward Voltage | V_f | Tc=25°C | If=350mA | 2.7 | 2.85 | 3.0 | V |
| Viewing Angle at 50% IV | $2\theta_{1/2}$ | Tc=25°C | — | — | 120 | — | Deg |
| Thermal Resistance Junction to Case | $R_{\theta J-C}$ | Tc=25°C | — | — | 6.4 | — | K/W |
| Temperature Coefficient of Voltage | $V\Delta F/T$ | Tc=25°C | If=350mA | — | -1.3 | — | mV/°C |

White light Color coordinate filing (Tc=25°C)



| Region | CCT Range(K) | | X1 | Y1 | X2 | Y2 | X3 | Y3 | X4 | Y4 |
|--------|--------------|-------|--------|--------|--------|--------|--------|--------|--------|--------|
| | Min | Max | | | | | | | | |
| AC32 | 2100K | 2150K | 0.5372 | 0.4410 | 0.5309 | 0.4410 | 0.5379 | 0.4500 | 0.5439 | 0.4498 |
| AC21 | 2150K | 2240K | 0.5241 | 0.4322 | 0.5136 | 0.4327 | 0.5198 | 0.4410 | 0.5301 | 0.4400 |
| AC22 | | | 0.5301 | 0.4400 | 0.5198 | 0.4410 | 0.5267 | 0.4504 | 0.5379 | 0.4500 |
| AB22 | 2240K | 2300K | 0.5198 | 0.4410 | 0.5132 | 0.4410 | 0.5199 | 0.4507 | 0.5267 | 0.4504 |

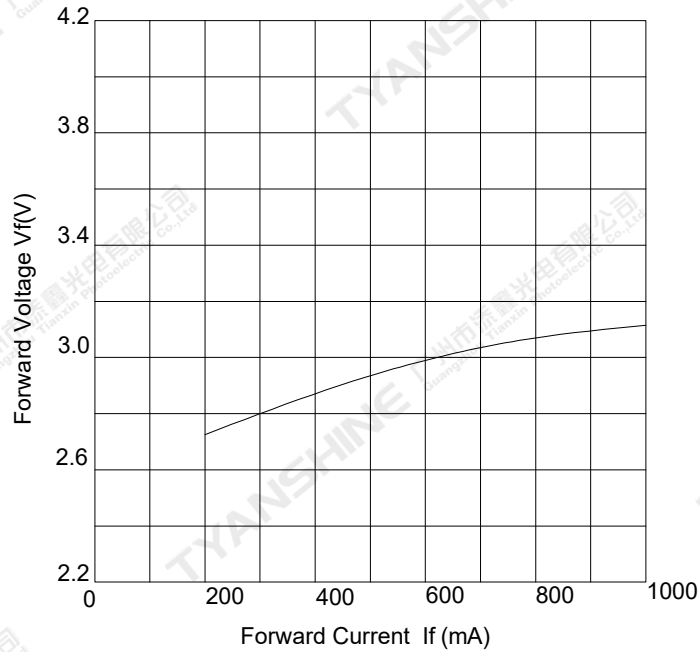
Notes:

- 1.Luminous intensity is measured with a light sensor and filter combination that approximates the CIE eye-response curve.
2. $\theta_{1/2}$ is the off-axis angle at which the luminous intensity is half the axial luminous intensity.
- 3.Luminous flux measurement tolerance:±15%.
- 4.Forward voltage measurement tolerance:±0.15V.

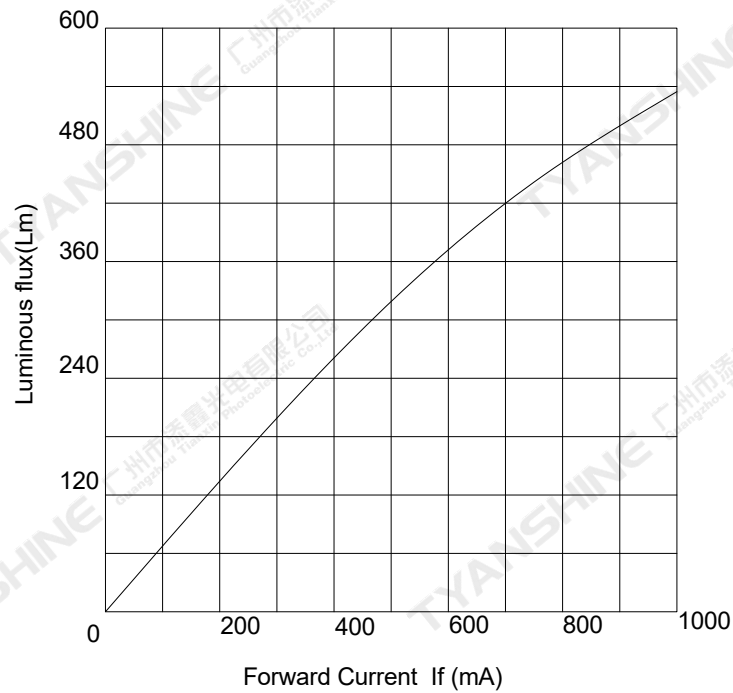
Typical Electrical/Optical Characteristics Curves

(25°C Ambient Temperature Unless Otherwise Noted)

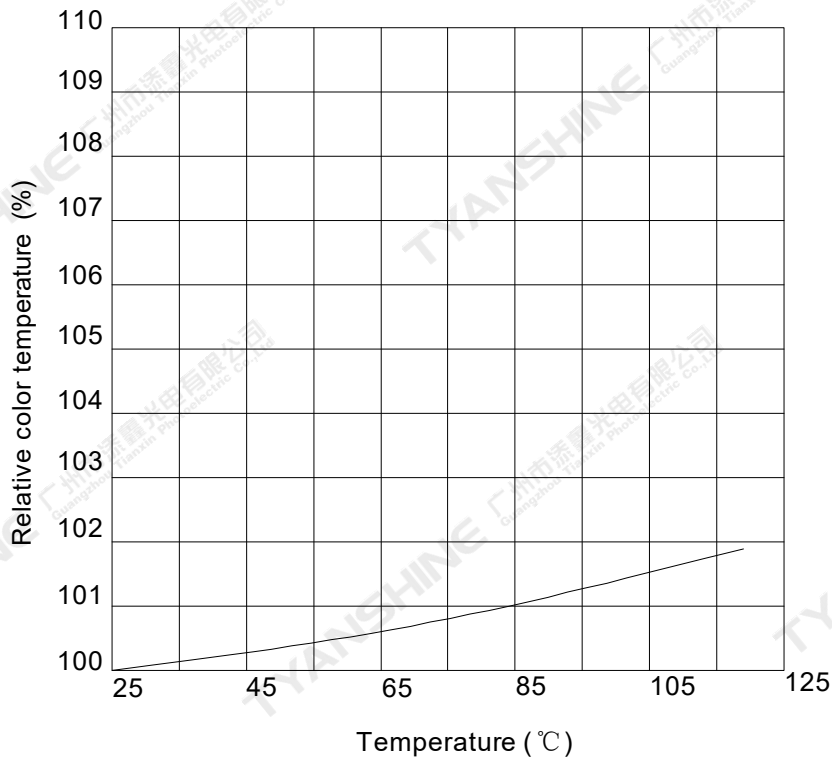
Forward Current VS. Forward Voltage



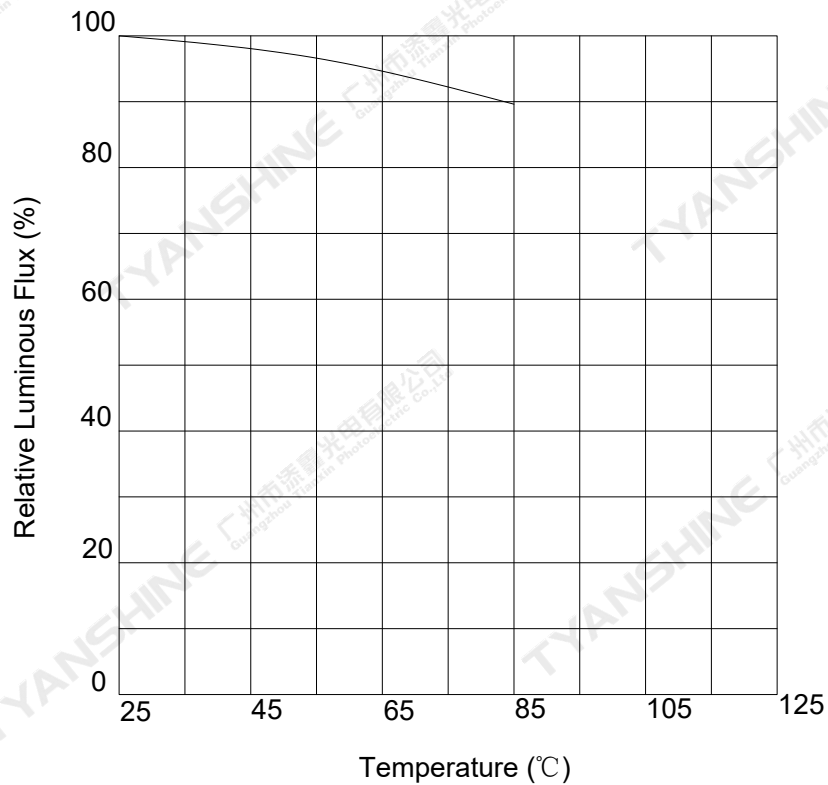
Forward Current VS. Luminous flux



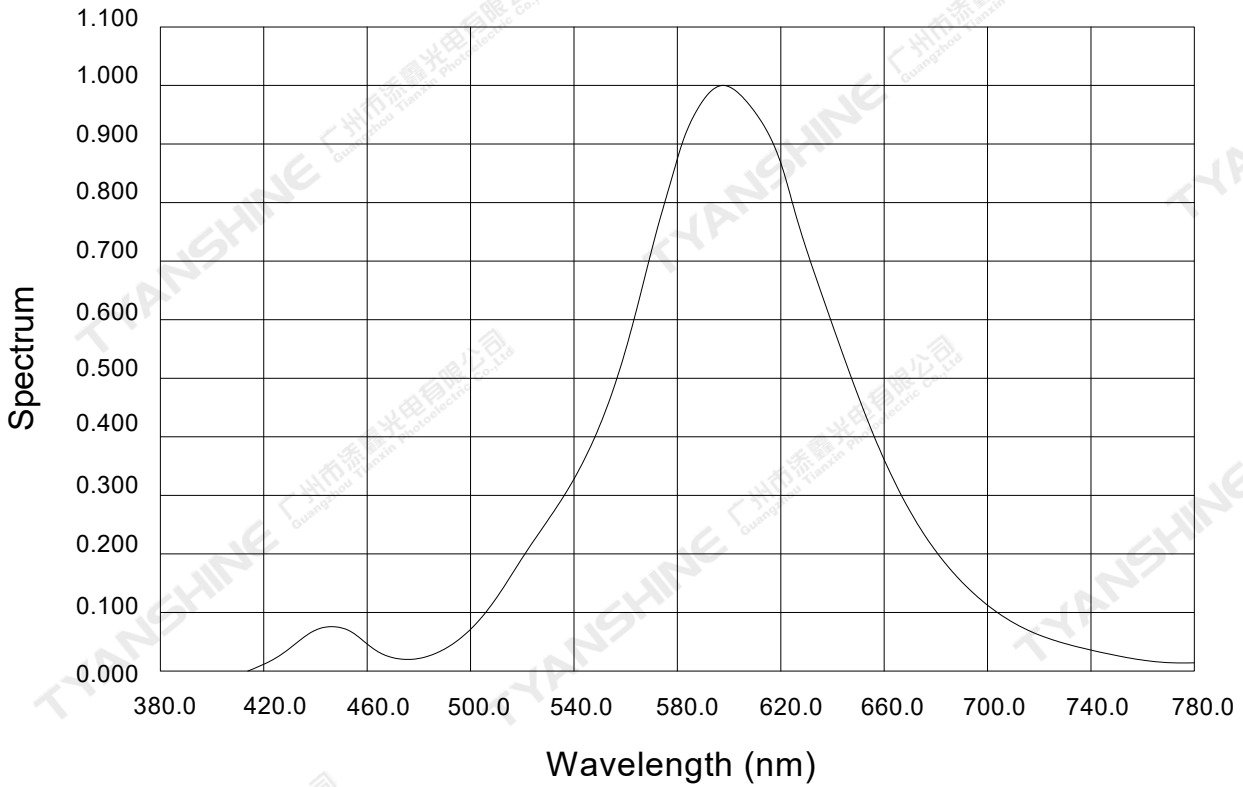
Temperature VS. Relative color temperature (IF=350mA)



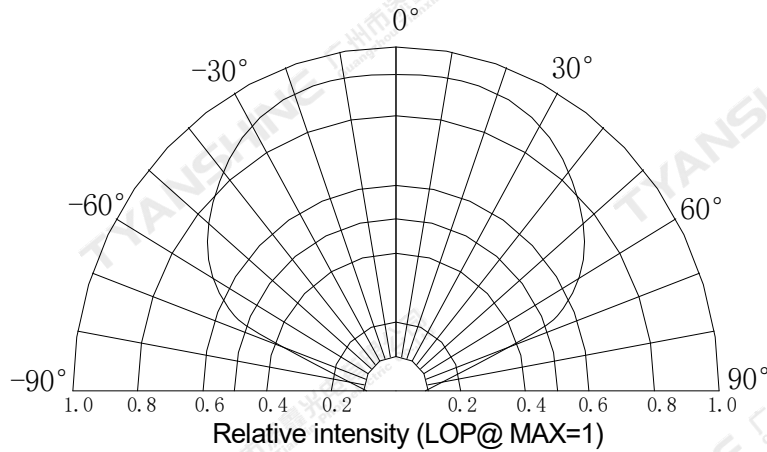
Temperature VS. Relative Luminous Flux (IF=350mA)



Relative Spectral Distribution



Beam Pattern



Notes:

1. $2\theta_{1/2}$ is the off axis angle from lamp centerline where the luminous intensity is 1/2 of the peak value.
2. View angle tolerance is $\pm 5^\circ$.

Usage Precautions

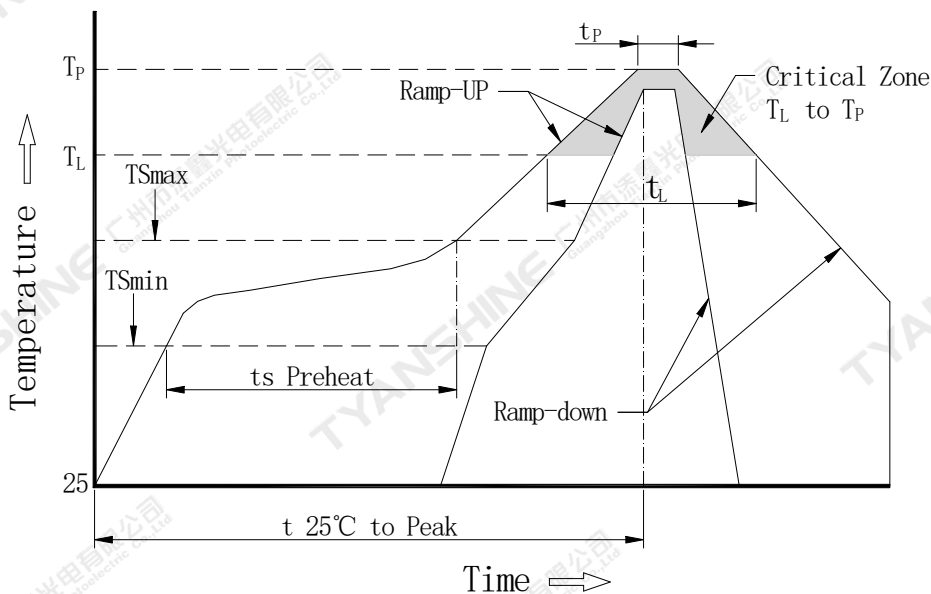
Storage Environment Condition

Temperature: 5°C ~ 30°C (41°F ~ 86°F)

Humidity: 60% RH Max.

Soldering Condition

Use the conditions shown to the under figure.



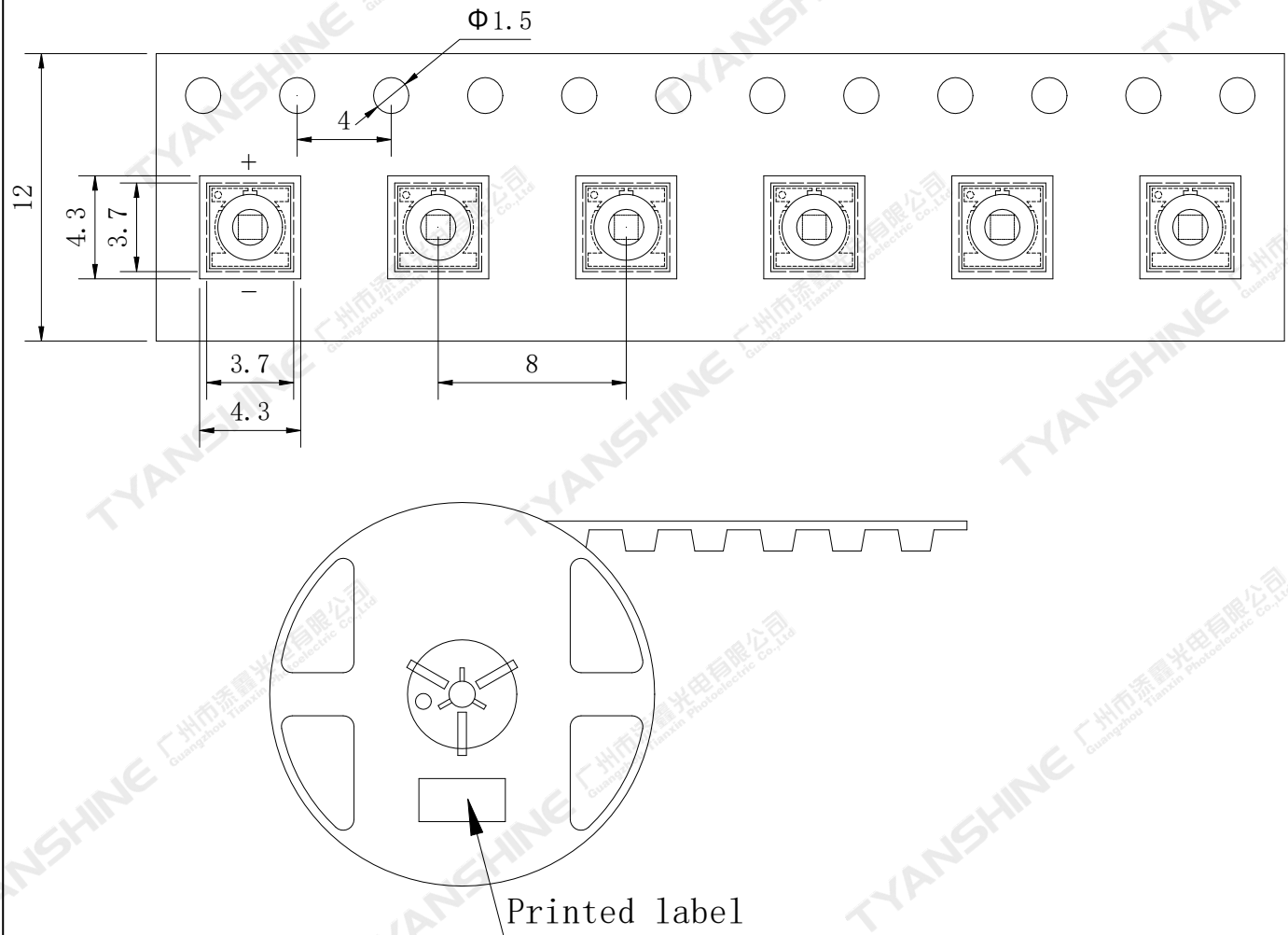
| Profile Feature | Pb-Free Solderr(SnBi35Ag0.3) |
|---|------------------------------|
| Average Ramp-Up Rate (TSmax to TP) | 3°C/second max. |
| Preheat: Temperature Min (TSmin) | 130°C |
| Preheat: Temperature Max (TSmax) | 190°C |
| Preheat: Time (TSmin to TSmax) | 120-180 seconds |
| Time Maintained Above: Temperature (TL) | 230°C |
| Time Maintained Above: Time (TL) | 60-150 seconds |
| Peak/Classification Temperature (TP) | 255°C |
| Time Within 5°C of Actual Peak Temperature (TP) | 10-35 seconds |
| Ramp-Down Rate | 5°C/second max. |
| Time 25°C to Peak Temperature | 7 minutes max. |

Note:

All temperatures refer to topside of the package, measured on the package body surface.

Dimensions For Cannulation And Packaging

Quantity:1000 PCS



Notes:

1. All dimensions are in millimeters.
2. Tolerances are ± 2.0 mm unless otherwise noted.
3. The products are packaged together with silica gel, Transport, not to the weight of welding LED light-emitting area, As a result of the weight of LED light-emitting zone in the quality of, Irresponsible of the Company.

| | | | | | |
|----------|-----------------------------|----------|------------|------|---------|
| Part No. | TX-3535W3FC120-OGVCND34-D06 | Spec No. | WKF-BE0787 | Page | 9 of 10 |
|----------|-----------------------------|----------|------------|------|---------|

产品规格书变更履历表

| 版本 | 变更内容描述 | | 生效日期 |
|-----|----------------|------------------------------------|------------|
| | 变更前内容 | 变更后内容 | |
| 1.1 | - | 增加Ceramic side temperature(notes4) | 2024.06.28 |
| 1.1 | 光通量范围115-135 | 光通量范围107-148 | 2024.06.28 |
| 1.1 | Chip Material: | Moisture Proof Grade: | 2024.06.28 |
| | | | |
| | | | |
| | | | |
| | | | |
| | | | |
| | | | |
| | | | |
| | | | |
| | | | |
| | | | |
| | | | |
| | | | |
| | | | |
| | | | |
| | | | |
| | | | |