

TX-3535G3FC120-0GVCND34-03F

PRODUCT SPECIFICATION

Features:

- ◆ Excellent transiting heat from LED chip operating under 1500mA.
- ◆ High luminous output.
- ◆ No UV.
- ◆ Encapsulated materials are environmentally certified and meet environmental requirements.

Moisture Proof Grade:

- ◆ LEVEL1

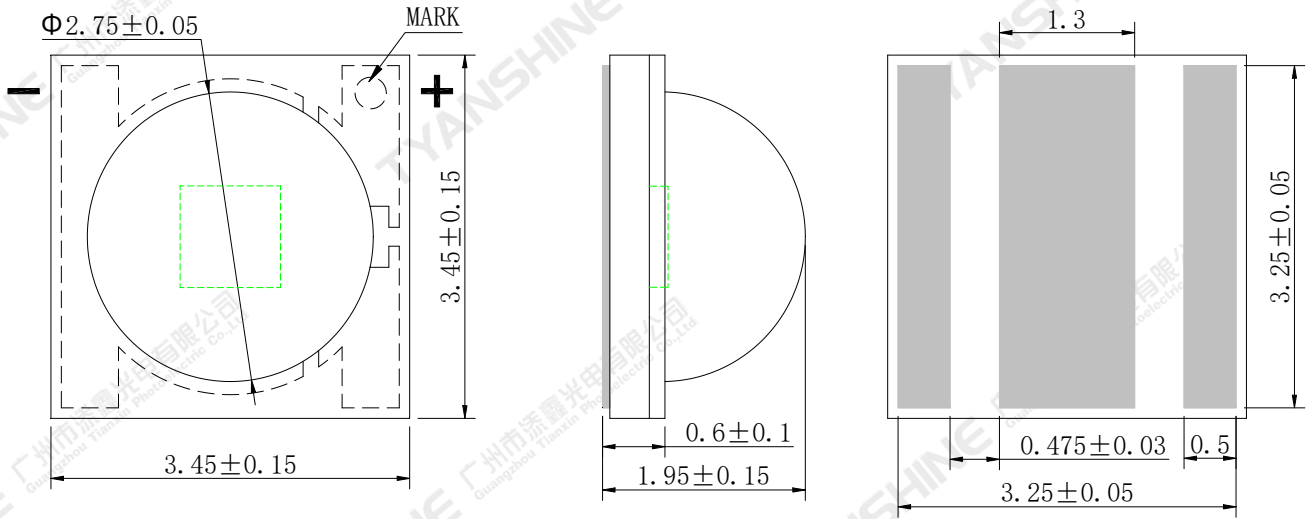
Emitting Color:

- ◆ Green

Applications:

- ◆ Auxiliary lighting
- ◆ Architectural lighting
- ◆ General Lighting

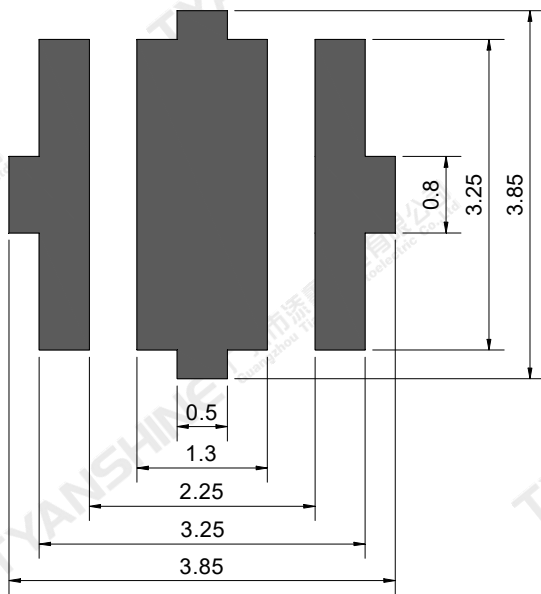
Package Dimensions:



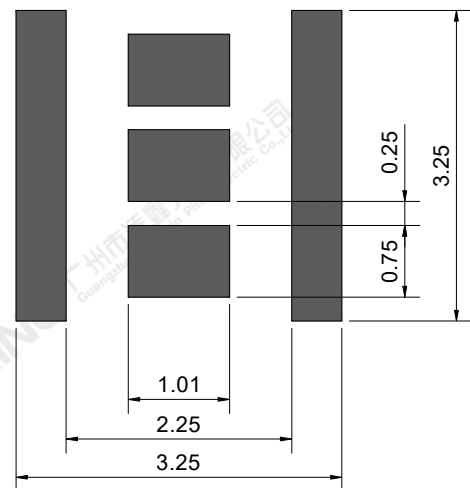
Top view

Side view

Bottom view



Recommended solder pad



Recommended stencil pattern

Notes:

- 1.All dimensions are in millimeters .
- 2.Tolerances unless otherwise mentioned are $\pm 0.1\text{mm}$.

Absolute Maximum Ratings (Tc=25°C)

Parameter	Symbol	Ratings	Unit
Forward Current	IF	1500	mA
Reverse Voltage	VR	Not designed for reverse operation	V
Power Dissipation	PD	5400	mW
Junction Temperature	Tj	150	°C
Electrostatic Discharge Threshold (ESD)	ESD	ESD sensitive device	V
Storage Temperature	Tstg	-40~+70	°C
Operation Temperature	Topr	-30~+85	
Ceramic side temperature(notes 4)	Tcs	85	

Notes:

- Specifications are subject to change without notice.
- The data on this specification is for reference only and the actual data is in accordance with the acknowledgment.
- Precautions for ESD:
STATIC SHIELD Electricity and surge damages the LED. It is recommended to use a wrist band or anti-electrostatic glove when handling the LED. All devices, equipment and machinery must be properly grounded.
- Temperature on the side of the ceramic substrate near the heat sink.

Electrical Optical Characteristics (Tc=25°C)

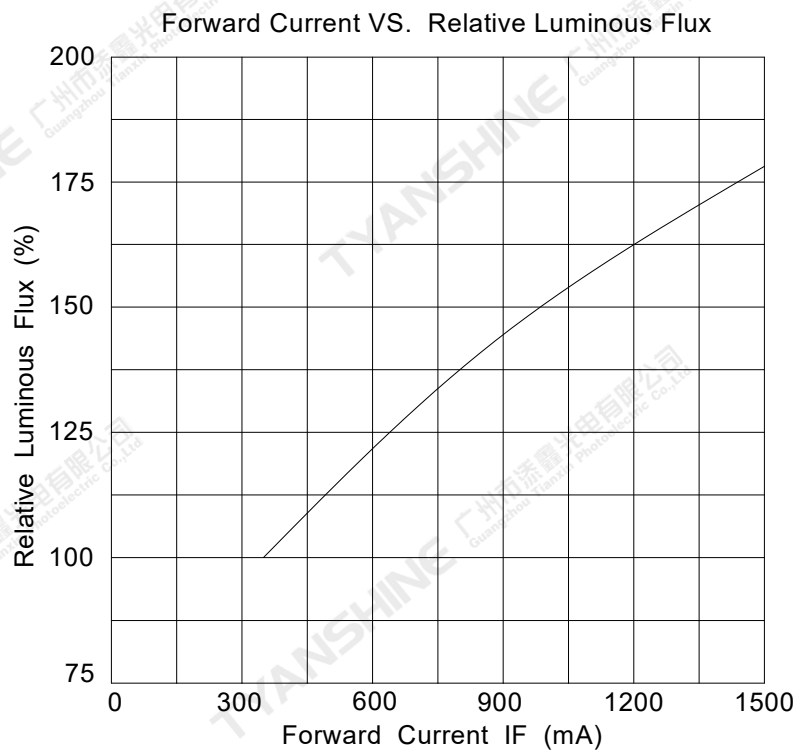
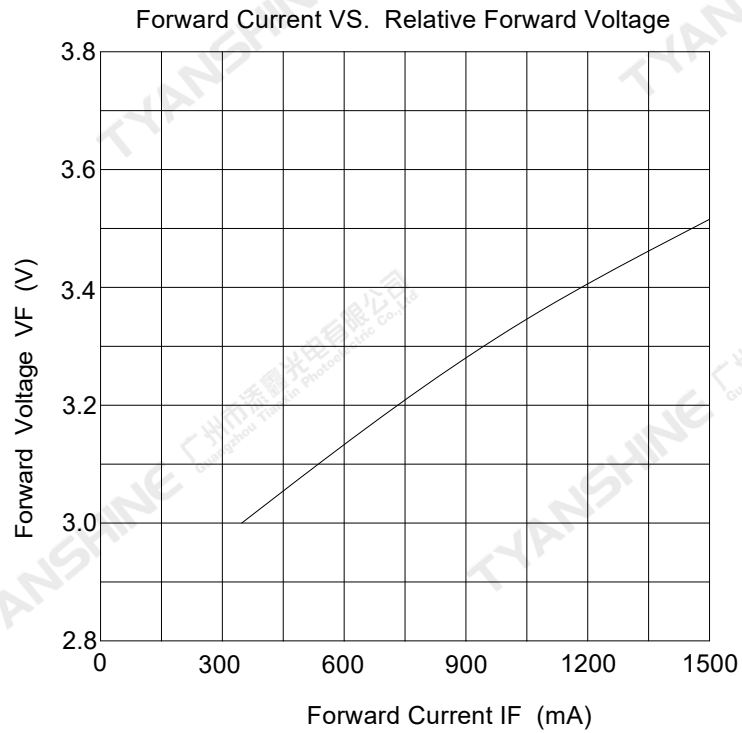
Parameter	Symbol	Condition	Min.	Typ.	Max.	Units
Luminous Flux	ϕ_v	If=350mA	120	155	180	lm
Forward Voltage	V_f		2.6	3.0	3.6	V
Peak Emission Wavelength	λ_p		518	523	528	nm
Dominant Wavelength	λ_d		522	527	533	nm
Spectral Line Half-Width	$\Delta\lambda$		20	25	30	nm
Viewing Angle at 50% IV	$2\theta_{1/2}$	—	—	120	—	Deg
Reverse Current	I_R	—	—	—	10	μA
Thermal Resistance Junction to Case	$R\theta_{J-C}$	If=350mA	—	6.3	—	K/W
Temperature Coefficient of Voltage	$V\Delta F/T$		—	-2	—	mV/°C

Notes:

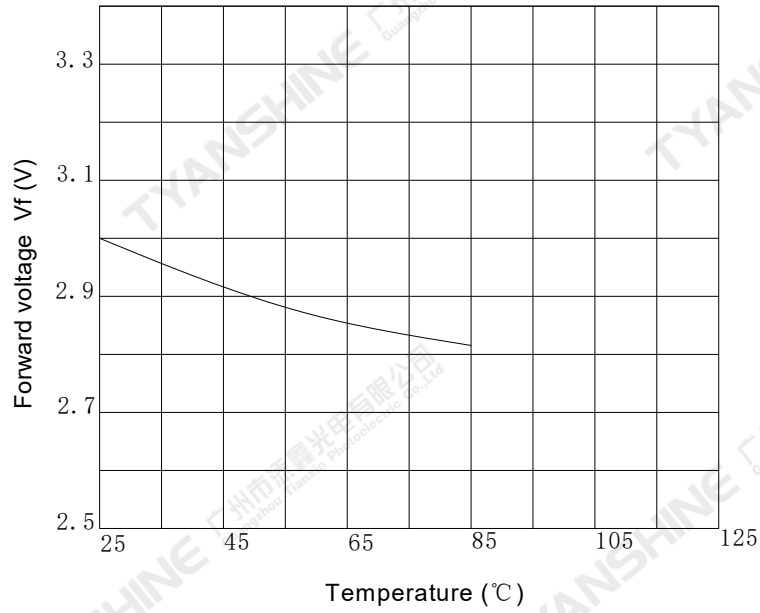
- 1.Luminous intensity is measured with a light sensor and filter combination that approximates the CIE eye-response curve.
2. $\theta_{1/2}$ is the off-axis angle at which the luminous intensity is half the axial luminous intensity.
- 3.Luminous flux measurement tolerance:±15%.
- 4.Forward voltage measurement tolerance:±0.15V.

Typical Electrical/Optical Characteristics Curves

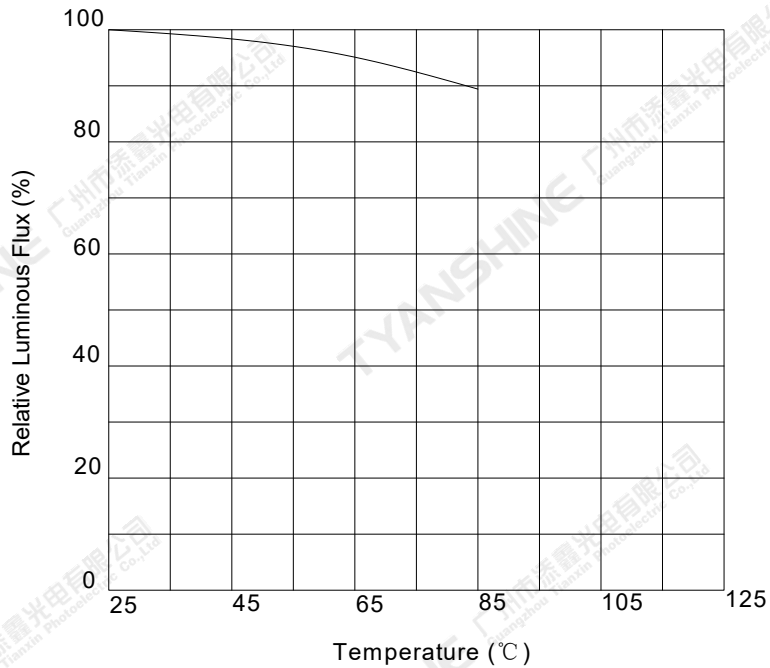
(25°C Ambient Temperature Unless Otherwise Noted)

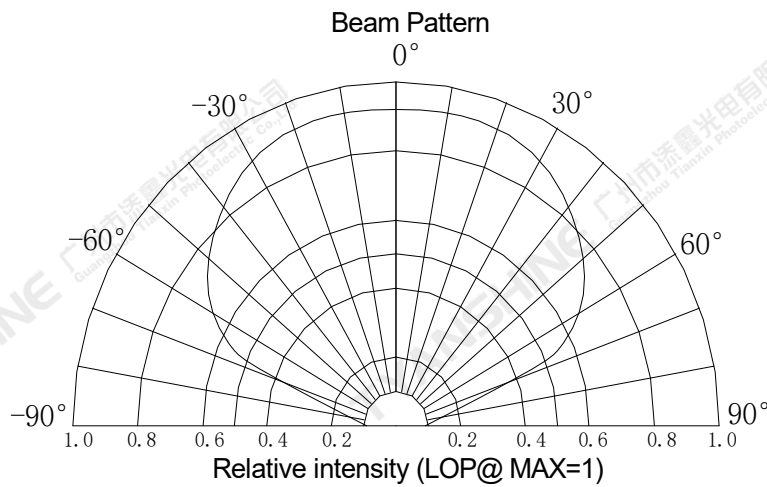
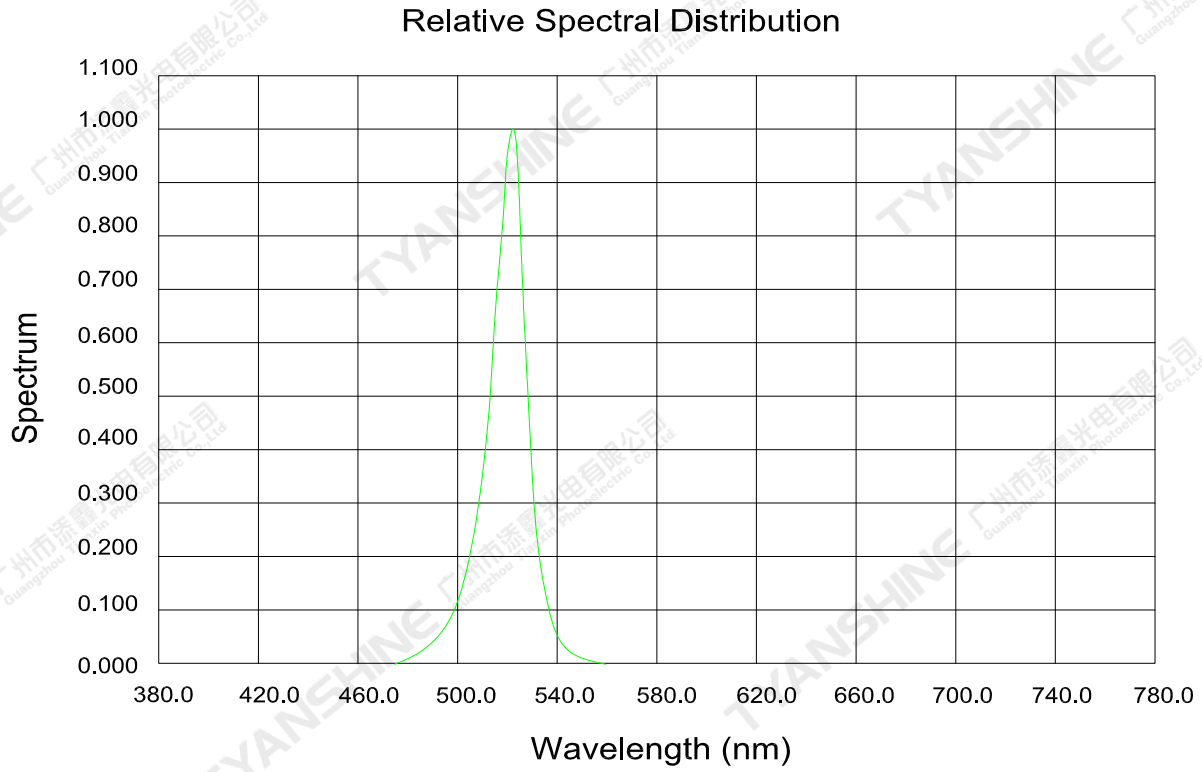


Temperature VS. Forward Voltage (IF=350mA)



Temperature VS. Relative Luminous Flux (IF=350mA)





Notes:

1. $2\theta_{1/2}$ is the off axis angle from lamp centerline where the luminous intensity is 1/2 of the peak value.
2. View angle tolerance is $\pm 5^\circ$.

Part No.	TX-3535G3FC120-0GVCND34-03F	Spec No.	WKF-BE0155	Page 7 of 10
----------	-----------------------------	----------	------------	--------------

Usage Precautions

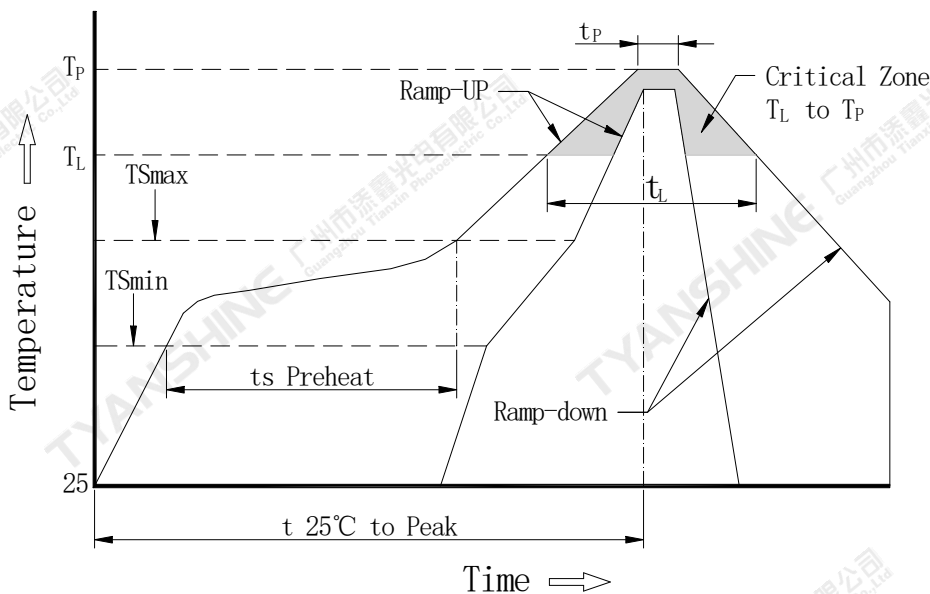
Storage Environment Condition

Temperature: 5°C ~ 30°C (41°F ~ 86°F)

Humidity: 60% RH Max.

Soldering Condition

Use the conditions shown to the under figure.



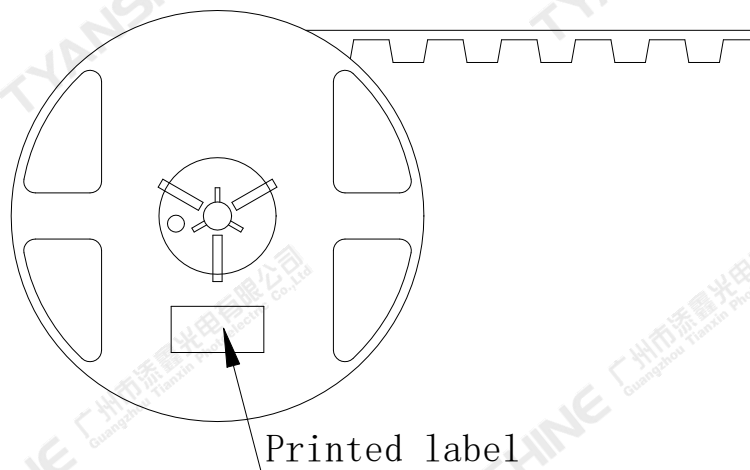
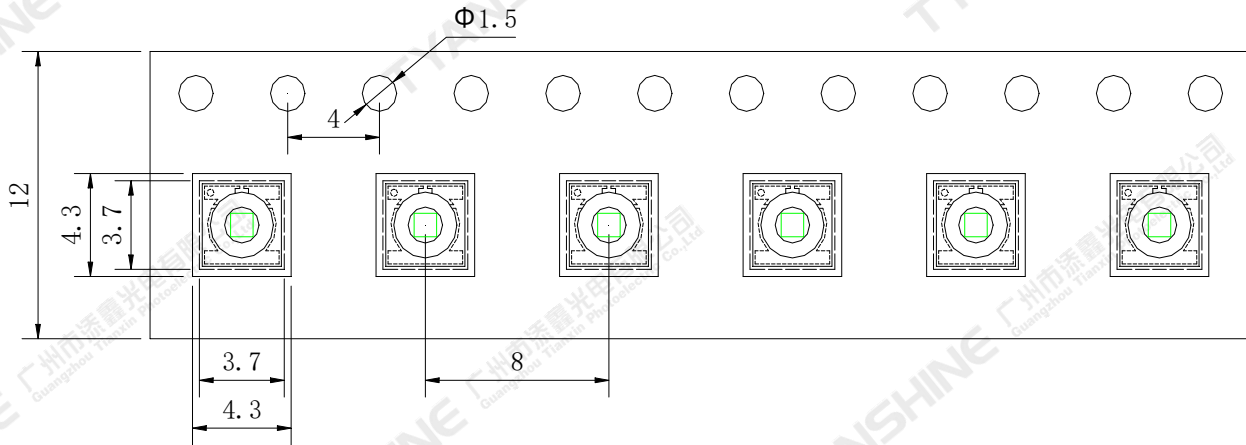
Profile Feature	Pb-Free Solderr(SnBi35Ag0.3)
Average Ramp-Up Rate (TSmax to TP)	3°C/second max.
Preheat: Temperature Min (TSmin)	130°C
Preheat: Temperature Max (TSmax)	190°C
Preheat: Time (TSmin to TSmax)	120-180 seconds
Time Maintained Above: Temperature (TL)	230°C
Time Maintained Above: Time (TL)	60-150 seconds
Peak/Classification Temperature (TP)	255°C
Time Within 5°C of Actual Peak Temperature (TP)	10-35 seconds
Ramp-Down Rate	5°C/second max.
Time 25°C to Peak Temperature	7 minutes max.

Note:

All temperatures refer to topside of the package, measured on the package body surface.

Dimensions For Cannulation And Packaging

Quantity:1000 PCS



Notes:

1. All dimensions are in millimeters.
2. Tolerances are ± 2.0 mm unless otherwise noted.
3. The products are packaged together with silica gel, Transport, not to the weight of welding LED light-emitting area, As a result of the weight of LED light-emitting zone in the quality of, Irresponsible of the Company.

Part No.	TX-3535G3FC120-0GVCND34-03F	Spec No.	WKF-BE0155	Page	9 of 10
----------	-----------------------------	----------	------------	------	---------

产品规格书变更履历表

版本	变更内容描述		生效日期
	变更前内容	变更后内容	
1.0	初次发行	-	2023.6.6
1.1	-	增加Ceramic side temperature(notes4)	2024.06.28
1.1	光通量范围130-160	光通量范围120-180	2024.06.28
1.1	Chip Material:	Moisture Proof Grade:	2024.06.28